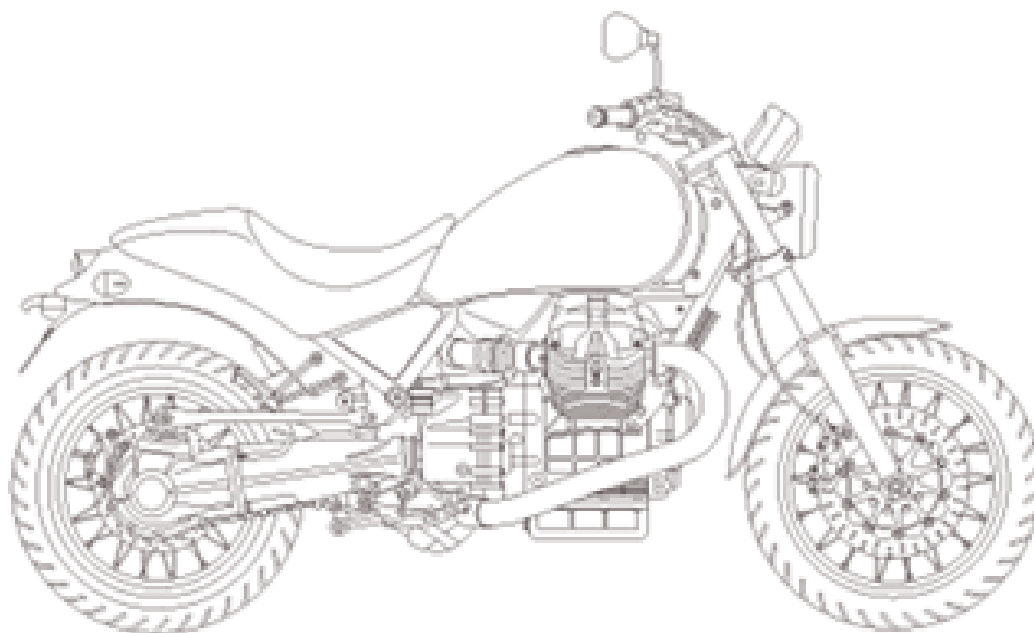




PIAGGIO & C.s.p.a.



SPARE PARTS CATALOGUE



Bellagio 940 2007-2009

Chassis prefix: ZGULY000, ZGULYA00

Engine prefix:

BELLAGIO

GU087



Index

Products.....	4
Part reference.....	5
FRAME.....	10
Drawing 33.01 - Frame.....	10
Drawing 33.02 - Central stand.....	12
Drawing 33.03 - Foot rests I.....	13
Drawing 33.04 - Foot rests II.....	14
Drawing 33.05 - Gear lever.....	15
Drawing 33.06 - Front fork I.....	16
Drawing 33.07 - Front fork II.....	17
Drawing 33.08 - Swing arm.....	20
Drawing 33.09 - Transmission complete.....	21
Drawing 33.10 - Trans.cpl.-Cage.....	22
Drawing 33.11 - Trans.cpl.-Bevel gear.....	23
Drawing 33.12 - Connecting rod - rear shock abs.....	24
Drawing 33.13 - Fuel tank.....	25
Drawing 33.14 - Saddle-Central bod.....	27
Drawing 33.15 - Front mudguard.....	29
Drawing 33.16 - Rear body - Rear fairing.....	30
Drawing 33.17 - Dashboard.....	31
Drawing 33.18 - Handlebar - Controls.....	32
Drawing 33.19 - Front master cilinder.....	33
Drawing 33.20 - Clutch control complete.....	34
Drawing 33.21 - Blow-by system.....	35
Drawing 33.22 - Fuel supply.....	36
Drawing 33.23 - Internal fuel pump.....	37
Drawing 33.24 - Air box.....	38
Drawing 33.25 - Exhaust unit.....	39
Drawing 33.26 - Front wheel.....	41
Drawing 33.27 - Front brake caliper.....	42
Drawing 33.28 - Rear wheel.....	43
Drawing 33.29 - Rear master cylinder.....	44
Drawing 33.30 - Rear brake caliper.....	45
Drawing 33.31 - Headlight/Horn.....	46
Drawing 33.32 - Taillight.....	47
Drawing 33.33 - Electrical system I.....	48
Drawing 33.34 - Electrical system II.....	50
Drawing 33.35 - Lock hardware kit.....	51
Drawing 33.36 - Plate set-decal-op.handbooks.....	52
ENGINE.....	54
Drawing 34.37 - Crank-case.....	54
Drawing 34.38 - Cylinder head and valves.....	56
Drawing 34.39 - Crankshaft cpl.....	58



Drawing 34.40 - Timing system.....	59
Drawing 34.41 - Oil pump.....	60
Drawing 34.42 - Oil filters.....	61
Drawing 34.43 - Clutch.....	62
Drawing 34.44 - Transmission cage.....	63
Drawing 34.45 - Gear box selector.....	64
Drawing 34.46 - Primary gear shaft.....	65
Drawing 34.47 - Driven shaft.....	66
Drawing 34.48 - Clutch shaft.....	67
Drawing 34.49 - Current generator.....	68
Drawing 34.50 - Starter motor.....	69
Drawing 34.51 - Throttle body.....	70
SPECIAL TOOLS.....	72
Drawing 36.52 - Specific tools I.....	72
Drawing 36.53 - Specific tools II.....	73



BELLAGIO
GU087 - Bellagio 940 2007-2009

Chassis prefix: ZGULY000, ZGULYA00
Engine prefix:

Products

Code	Validity
GU9032588AU801	
GU9032588EU801	
GU9032588GB801	



Code	Drawing Nr.	Pos.	Code	Drawing Nr.	Pos.	Code	Drawing Nr.	Pos.
0000000	33.26	14	976522	33.25	11	978362	33.19	6
0000000	33.26	15	976523	33.25	12	978364	33.30	10
0000000	33.26	16	976688	34.41	17	978366	33.33	1
0000000	33.28	12	976923	34.37	38	978366	33.34	1
0000000	33.28	13	976926	34.44	17	978368	33.33	2
224202	34.38	8	977024	33.26	8	978369	33.25	13
277916	34.41	2	977041	33.29	14	978370	33.25	23
639542	33.02	3	977056	33.28	5	978373	33.31	10
825597	34.38	9	977080	33.02	2	978374	33.31	11
825597	34.39	24	977180	34.51	18	978376	33.17	2
849131	34.39	14	977181	34.51	19	978377	33.17	4
851998	33.18	5	977388	33.33	15	978381	33.18	11
883045	33.09	7	977389	33.35	1	978382	33.18	12
883046	33.09	2	977476	34.51	16	978390	34.51	18
883114	33.12	1	977527	33.14	14	978390	34.51	18
883114	33.12	1	977527	33.35	4	978391	34.51	19
883255	33.13	17	977528	33.17	9	978391	34.51	19
883255	33.13	17	977528	33.35	2	978414	33.30	1
883256	33.13	16	977662	33.25	1	978415	33.35	9
883256	33.13	16	977663	33.25	2	978434	33.29	1
883269	33.36	17	977699	33.01	18	978435	33.29	6
883271	33.36	19	977769	33.34	13	978461	33.21	4
883272	33.36	18	977772	33.34	14	978467	33.04	1
883802	33.18	13	977790	33.01	1	978472	33.03	14
883802	33.18	15	977809	33.01	7	978473	33.04	4
886141	33.36	20	977872	33.12	1	978505	33.34	11
886142	33.36	21	978224	33.03	1	978506	33.25	24
886143	33.36	22	978225	33.03	4	978508	33.36	4
886144	33.36	23	978250	33.14	6	978509	33.36	5
88615300NG	33.13	1	978251	33.14	7	978516	33.26	5
88615500NG	33.15	1	978295	33.14	1	978520	33.36	13
976006	34.39	13	978303	33.26	12	978526	33.01	27
976020	34.39	18	978304	33.26	13	978540	33.25	17
976026	34.51	8	978305	33.26	2	978551	33.36	6
976031	34.39	12	978306	33.26	6	978552	33.36	1
976049	34.51	9	978307	33.26	7	978554	33.33	11
976052	34.38	20	978308	33.26	1	978568	33.05	9
976064	34.39	9	978309	33.15	2	978580	33.16	11
976070	34.39	4	978310	33.18	1	978588	33.21	9
976071	34.39	5	978311	33.31	1	978606	33.19	1
976072	34.39	6	978312	33.24	1	978607	33.20	1
976079	34.38	1	978320	33.21	1	978609	33.28	1
976080	34.38	2	978324	33.17	1	978610	33.28	2
976095	34.38	36	978335	33.16	5	978611	33.28	8
976107	34.38	3	978336	33.16	4	978632	33.01	22
976134	34.41	1	978337	33.14	2	978662	33.31	1
976139	34.38	38	97833700EE	33.14	2	978683	33.28	11
976144	34.38	41	97833700YR1	33.14	2	978697	33.28	10
976152	34.38	4	978337NG	33.14	2	981002	34.39	1
976153	34.38	22	978337NG	33.14	2	981003	33.27	6
976165	34.41	3	978338	33.14	3	981004	33.27	5
976168	34.41	15	97833800EE	33.14	3	981046	33.20	2
976171	34.39	16	97833800YR1	33.14	3	981050	33.19	2
976172	34.39	16	978338NG	33.14	3	981115	34.42	14
976181	34.38	10	978338NG	33.14	3	983036	33.14	1
976183	34.39	3	978340	33.16	1	983036	33.14	1
976371	34.39	2	97834000EE	33.16	1	AP8101586	33.21	16
976425	34.39	17	97834000YR1	33.16	1	AP8101595	33.29	5
976448	34.41	6	978340NG	33.16	1	AP8101595	34.44	15
976449	34.37	1	978340NG	33.16	1	AP8101861	33.04	11
976450	34.37	15	978346	33.36	11	AP8102375	33.14	5
976451	34.37	26	978348	33.09	1	AP8102375	33.16	3
976452	34.44	5	978350	33.08	1	AP8102524	33.02	9
976453	34.44	1	978356	33.28	9	AP8102913	33.14	16
976481	34.39	20	978358	33.02	1	AP8110066	33.12	5
976484	34.39	21	978360	33.27	1	AP8110068	33.12	6
976521	33.25	22	978361	33.27	2	AP8112811	33.34	9



Code	Drawing Nr.	Pos.	Code	Drawing Nr.	Pos.	Code	Drawing Nr.	Pos.
AP8112996	33.29	27	AP8144071	33.25	28	AP8221160	33.01	12
AP8113081	33.29	16	AP8144222	33.07	6	AP8221204	33.02	10
AP8113082	33.29	17	AP8144553	33.34	7	AP8221211	33.02	11
AP8113288	33.29	3	AP8144707	33.01	26	AP8221242	33.17	3
AP8113627	33.27	3	AP8144707	33.31	21	AP8221277	33.03	8
AP8113993	33.19	5	AP8145034	33.03	5	AP8221307	33.01	9
AP8113993	33.20	4	AP8145035	33.03	12	AP8224164	33.16	8
AP8113995	33.19	3	AP8150248	33.16	10	GU00823923140	33.02	15
AP8113997	33.20	5	AP8150292	33.02	7	GU00823931055	33.13	22
AP8113998	33.20	6	AP8150292	33.12	13	GU00823931070	33.14	12
AP8114487	33.14	15	AP8150432	33.01	11	GU00823944050	33.13	24
AP8117200	33.34	5	AP8150462	33.05	5	GU00823944050	33.24	14
AP8117200	34.50	5	AP8150462	33.29	22	GU00823952080	33.22	6
AP8118492	33.18	9	AP8152001	33.02	8	GU00823956080	33.21	7
AP8118502	33.18	8	AP8152043	33.17	13	GU01037030	34.38	10
AP8118503	33.18	10	AP8152147	33.12	12	GU01038060	34.38	13
AP8118579	33.18	3	AP8152242	33.09	5	GU01038160	34.38	14
AP8120030	33.17	8	AP8152267	33.16	7	GU01051730	34.40	8
AP8120030	33.33	5	AP8152273	33.22	2	GU01054001	34.40	5
AP8120177	33.34	6	AP8152277	33.03	9	GU01067930	34.39	22
AP8120178	33.29	13	AP8152277	33.04	12	GU01106090	33.23	2
AP8120405	33.14	13	AP8152277	33.34	12	GU01106692	33.22	4
AP8120405	34.51	15	AP8152278	33.20	11	GU01107490	33.23	4
AP8120485	33.11	7	AP8152278	33.29	12	GU01108490	33.23	5
AP8120912	33.05	3	AP8152278	34.43	14	GU01132330	33.18	16
AP8120912	33.29	20	AP8152279	33.17	5	GU01132830	33.18	18
AP8120952	34.44	16	AP8152279	33.29	4	GU01517700	33.06	8
AP8121032	34.50	7	AP8152279	33.31	20	GU01528930	33.10	13
AP8121072	33.25	29	AP8152279	33.33	4	GU01528930	33.10	8
AP8121098	33.11	6	AP8152280	34.37	16	GU01528930	34.44	9
AP8121133	33.04	10	AP8152282	33.33	7	GU01530500	34.51	3
AP8121155	33.12	10	AP8152282	34.37	17	GU01530504	34.51	2
AP8121170	33.25	20	AP8152282	34.49	12	GU01576530	33.01	20
AP8121218	33.09	4	AP8152286	33.01	16	GU01603480	33.18	7
AP8121221	33.05	2	AP8152286	33.26	9	GU01609630	33.18	14
AP8121221	33.29	19	AP8152287	34.37	18	GU01721600	33.33	18
AP8121223	33.05	6	AP8152291	34.37	37	GU01722700	33.33	20
AP8121223	33.29	24	AP8152298	34.38	21	GU01722701	33.33	20
AP8121420	33.35	8	AP8152299	33.14	9	GU01722702	33.33	20
AP8121567	33.03	10	AP8152299	33.31	22	GU01722703	33.33	20
AP8121882	33.17	15	AP8152301	33.01	8	GU01722704	33.33	20
AP8121915	33.19	8	AP8152301	33.12	11	GU01722705	33.33	20
AP8121915	33.20	9	AP8152301	33.25	18	GU01731760	33.34	15
AP8121915	33.30	6	AP8152306	33.16	9	GU01743791	33.31	19
AP8121927	33.29	23	AP8152306	33.32	17	GU02517700	34.37	8
AP8121994	33.02	6	AP8152318	33.08	2	GU03001600	34.37	21
AP8124936	33.33	31	AP8152320	33.30	2	GU03007260	33.21	2
AP8124976	33.32	19	AP8152329	33.29	10	GU03013800	33.24	7
AP8125777	33.26	3	AP8152329	33.34	4	GU03013800	34.50	9
AP8127098	33.32	13	AP8152339	33.14	4	GU03100270	33.13	1
AP8127703	33.18	2	AP8152339	33.16	2	GU0310027000EE	33.13	1
AP8133502	33.27	4	AP8152396	33.12	16	GU0310027000YR1	33.13	1
AP8133594	33.20	8	AP8152397	33.12	9	GU03100270NG	33.13	1
AP8133595	33.30	8	AP8152398	33.12	2	GU03101600	33.13	8
AP8133596	33.30	9	AP8152409	33.03	11	GU03101720	33.13	9
AP8133597	33.30	7	AP8152409	33.04	13	GU03101900	33.13	4
AP8133908	33.27	7	AP8152410	33.09	3	GU03102200	33.13	7
AP8133962	33.19	7	AP8152482	33.12	15	GU03102400	33.13	6
AP8133962	33.30	11	AP8201124	33.01	19	GU03103070	33.23	3
AP8134378	33.25	27	AP8201358	33.21	8	GU03103200	33.13	10
AP8134448	33.16	6	AP8201808	33.30	13	GU03103500	33.13	5
AP8134451	33.04	9	AP8202238	33.30	12	GU03104370	33.13	23
AP8134829	33.04	8	AP8212588	33.34	16	GU03106170	33.23	6
AP8135608	33.12	8	AP8220162	33.01	28	GU03106400	33.13	2
AP8135924	33.12	4	AP8221023	33.17	7	GU03107270	33.22	1
AP8144007	33.05	7	AP8221023	33.33	6	GU03107270	33.23	1
AP8144007	33.29	25	AP8221145	33.29	11	GU03112560	34.51	1



Code	Drawing Nr.	Pos.	Code	Drawing Nr.	Pos.	Code	Drawing Nr.	Pos.
GU03114370	34.51	7	GU03658430	33.19	12	GU05256930	33.05	10
GU03158200	34.42	6	GU03740930	33.32	6	GU05326330	33.09	6
GU03163330	33.33	24	GU03749845	33.19	9	GU05351230	33.10	2
GU03270300	33.01	25	GU04067000	34.39	19	GU05352430	33.11	2
GU03270300	33.25	7	GU04082800	34.43	5	GU05354230	33.11	1
GU0343436500EE	33.15	1	GU04084100	34.43	1	GU05358030	33.10	6
GU0343436500YR1	33.15	1	GU04086100	34.43	10	GU05358130	33.10	5
GU03434365NG	33.15	1	GU05001230	34.37	14	GU05358230	33.10	7
GU03462801	33.13	19	GU05011830	34.37	34	GU05358330	33.10	1
GU03469200	33.01	13	GU05023430	34.38	37	GU05358530	33.10	15
GU03469201	34.50	8	GU05025330	34.39	23	GU05358630	33.10	16
GU03472460	33.13	16	GU05025331	34.38	17	GU05421430	33.01	2
GU03472960	33.13	17	GU05025930	34.38	39	GU05421530	33.01	3
GU03490270	33.06	1	GU05036030	34.38	6	GU05425530	33.01	15
GU03490611	33.07	52	GU05036131	34.38	5	GU05547030	33.08	6
GU03490711	33.07	53	GU05053331	34.40	3	GU05547130	33.08	5
GU03493100	33.07	1	GU05054532	34.40	9	GU05547930	33.08	8
GU03494000	33.07	11	GU05058030	34.40	16	GU05548030	33.08	3
GU03498100	33.07	8	GU05081830	34.48	5	GU05560330	33.12	3
GU03522501001	33.07	39	GU05084430	34.43	3	GU05562030	33.12	7
GU03522601001	33.07	43	GU05085730	34.43	6	GU05562430	33.12	14
GU03525400	33.07	19	GU05086330	33.20	10	GU05603331	33.18	6
GU03526600	33.07	18	GU05086330	34.43	13	GU05606530	33.20	7
GU03526601	33.07	55	GU05121630	33.25	10	GU05606630	33.20	12
GU03530504	33.07	12	GU05124230	33.25	14	GU05632730	33.28	3
GU03530505	33.07	13	GU05124330	33.25	16	GU05635730	33.28	6
GU03530506	33.07	14	GU05128230	33.25	21	GU05638130	33.11	9
GU03530507	33.07	15	GU05153630	34.41	10	GU05654630	33.30	3
GU03530508	33.07	16	GU05204930	34.44	8	GU05659030	33.30	5
GU03530509	33.07	17	GU05206530	33.10	12	GU05659130	33.30	4
GU03530510	33.07	20	GU05210631	34.46	1	GU05661130	33.19	4
GU03530511	33.07	21	GU05210731	34.48	1	GU05663530	33.29	7
GU03530512	33.07	22	GU05211030	34.48	12	GU05666030	33.29	9
GU03530513	33.07	23	GU05211231	34.48	10	GU05704531	33.34	2
GU03530514	33.07	24	GU05211331	34.46	10	GU05704630	33.34	3
GU03530515	33.07	25	GU05211431	34.46	7	GU05716530	33.33	8
GU03530516	33.07	26	GU05211530	34.48	13	GU05717030	33.33	17
GU03530517	33.07	27	GU05211630	34.48	14	GU05729230	33.33	3
GU03530518	33.07	28	GU05212031	34.46	4	GU05730730	34.50	1
GU03530519	33.07	29	GU05212631	34.46	9	GU05733330	34.50	4
GU03530520	33.07	30	GU05213631	34.47	1	GU05747830	33.34	8
GU03530521	33.07	31	GU05214031	34.47	7	GU05900130	33.36	12
GU03530522	33.07	32	GU05214231	34.47	3	GU05901930	36.52	4
GU03530523	33.07	33	GU05214431	34.47	12	GU05902530	36.52	1
GU03530524	33.07	34	GU05214630	34.46	5	GU05902730	36.53	1
GU03530525	33.07	35	GU05214630	34.47	5	GU05902731	36.53	5
GU03530526	33.07	36	GU05214731	34.47	9	GU05902732	36.53	3
GU03530527	33.07	37	GU05215031	34.47	10	GU05902733	36.53	4
GU03530528	33.07	38	GU05217630	34.43	12	GU05902734	36.53	7
GU03530529	33.07	41	GU05220531	34.47	11	GU05902735	36.53	6
GU03530530	33.07	42	GU05230531	34.45	18	GU05902736	36.53	2
GU03530531	33.07	44	GU05230831	34.45	21	GU05909930	33.36	10
GU03530532	33.07	45	GU05232431	34.45	19	GU05912530	36.52	3
GU03530533	33.07	46	GU05232631	34.45	20	GU05917530	33.36	7
GU03530534	33.07	47	GU05234130	34.45	11	GU05926030	33.36	14
GU03530535	33.07	48	GU05234230	34.45	12	GU05928030	36.52	5
GU03530536	33.07	48	GU05234431	34.45	1	GU05944530	33.36	16
GU03530537	33.07	48	GU05234631	34.45	2	GU05944930	33.36	9
GU03530538	33.07	49	GU05234731	34.45	10	GU06211100	34.48	8
GU03530539	33.07	50	GU05234931	34.45	13	GU06215600	34.46	2
GU03530540	33.07	51	GU05235531	34.45	3	GU06250900	33.05	1
GU03530541	33.07	54	GU05236231	34.45	7	GU06409800	33.01	21
GU03602760	33.18	4	GU05238131	34.45	15	GU06677000	33.29	18
GU03604845	33.20	3	GU05238231	34.45	8	GU06717400	33.33	12
GU03609600	33.18	14	GU05238331	34.45	14	GU06751600	33.31	15
GU03614101	33.26	10	GU05238431	34.45	9	GU06751600	33.32	1
GU03658201	33.19	13	GU05239330	34.45	17	GU06765400	33.17	12

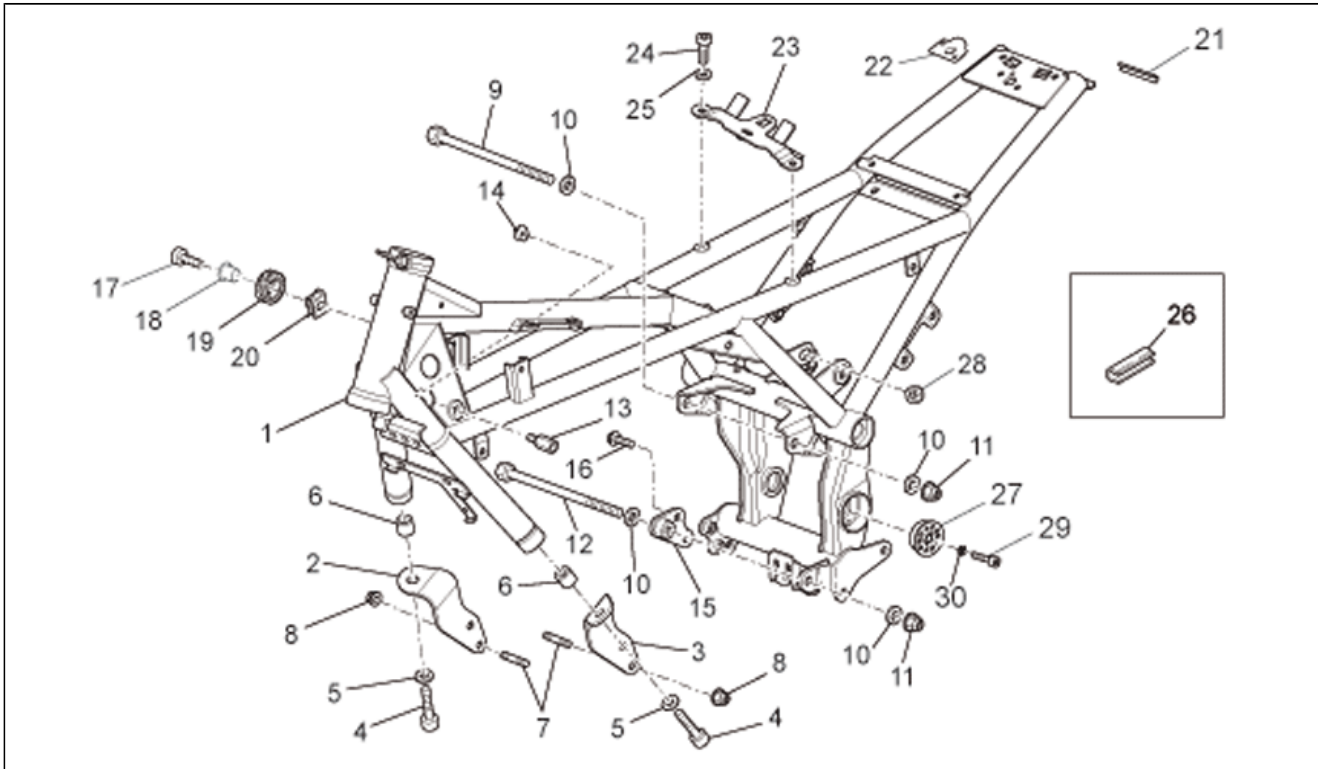


Code	Drawing Nr.	Pos.	Code	Drawing Nr.	Pos.	Code	Drawing Nr.	Pos.
GU06765500	33.17	14	GU18001150	34.37	20	GU31740383	33.31	2
GU06917300	33.36	3	GU18144350	33.21	3	GU31768780	34.41	14
GU06917400	33.36	2	GU18144350	34.42	12	GU32023910	34.38	44
GU10032700	34.38	32	GU18144350	34.44	7	GU32103960	33.13	3
GU10034100	34.38	29	GU19002020	34.44	14	GU32103960	33.35	3
GU10907200	36.52	10	GU19007700	34.37	23	GU32116810	34.38	18
GU12003702	34.37	29	GU19149800	33.27	9	GU32441210	33.03	7
GU12003900	34.37	2	GU19149800	34.41	9	GU32441210	33.04	7
GU12006400	34.41	16	GU19207220	34.44	10	GU32442310	33.04	5
GU12011400	34.37	35	GU19659500	33.29	2	GU32442710	33.04	14
GU12011401	34.37	35	GU19927100	36.52	15	GU32443210	33.03	6
GU12011402	34.37	35	GU19929600	36.52	13	GU32443210	33.04	6
GU12011403	34.37	35	GU23943410	33.07	10	GU32443211	33.03	13
GU12011700	34.37	36	GU23943510	33.06	7	GU32443211	33.04	15
GU12012200	34.37	11	GU25656102	34.41	11	GU32474710	33.32	14
GU12018900	34.37	6	GU27530505	33.07	5	GU32602860	33.18	22
GU12022600	34.38	15	GU28157950	33.22	5	GU32703810	34.49	2
GU12031800	34.38	33	GU28157950	33.24	13	GU32712411	34.49	1
GU12082300	34.43	4	GU28576591	34.49	14	GU32727010	33.25	19
GU12087001	34.43	9	GU28742562	33.34	10	GU32735510	33.35	5
GU12154200	34.41	13	GU29106860	33.22	3	GU32735511	33.35	5
GU12154200	34.44	11	GU29115860	33.24	12	GU32740960	33.32	2
GU12211700	34.48	15	GU29116960	33.21	11	GU32750660	33.31	12
GU12911801	36.52	9	GU29132750	33.18	19	GU32750660	33.32	3
GU12912000	36.52	7	GU29217960	34.49	7	GU32753760	33.31	13
GU12913600	36.52	16	GU29530562	34.51	4	GU32753760	33.32	11
GU13037200	34.38	42	GU29711460	34.49	5	GU32769460	33.18	15
GU13084100	34.43	1	GU29711960	34.49	11	GU32769860	33.18	13
GU13148300	34.41	4	GU29722760	33.33	20	GU327037405	34.38	11
GU14003600	34.37	24	GU29729461	33.33	23	GU37037605	34.38	12
GU14011900	34.37	10	GU30003800	34.42	2	GU37045006	34.40	1
GU14011901	34.37	10	GU30004910	34.37	31	GU37067705	34.39	10
GU14018400	34.38	24	GU30058310	34.40	17	GU37712306	34.49	9
GU14030201	34.38	25	GU30059211	34.40	18	GU39094200	33.18	21
GU14030401	34.38	26	GU30061241	34.39	7	GU49609601	33.33	16
GU14037300	34.38	43	GU30082900	34.43	2	GU49609601	33.34	17
GU14072001	34.40	12	GU30109330	33.25	9	GU61270300	34.37	13
GU14085900	34.43	7	GU30113460	33.24	3	GU90118152	34.38	31
GU14086000	34.43	8	GU30113600	33.24	2	GU90271014	34.45	16
GU14152200	34.42	3	GU30114470	34.51	5	GU90271022	34.45	4
GU14217901	33.17	6	GU30114560	33.24	9	GU90271030	34.46	8
GU14217901	33.31	9	GU30114660	33.24	8	GU90271030	34.47	8
GU14217901	34.39	11	GU30147700	34.41	7	GU90271125	34.48	9
GU14217901	34.51	11	GU30150900	34.42	8	GU90271230	34.46	6
GU14234600	34.40	4	GU30153000	34.42	1	GU90271230	34.47	6
GU14433400	34.40	10	GU30158701	34.42	7	GU90272028	34.48	17
GU14439800	33.31	7	GU30158800	34.42	11	GU90273026	33.11	8
GU14516700	33.06	4	GU30158900	34.42	10	GU90274002	33.33	32
GU14517000	33.06	5	GU30159000	34.42	13	GU90274008	33.25	15
GU14609650	33.02	16	GU30217900	33.01	5	GU90351039	34.39	8
GU14609650	33.21	10	GU30217900	33.02	14	GU90353014	34.45	22
GU14609650	33.33	16	GU30461360	33.01	23	GU90353016	34.38	7
GU14609650	33.34	17	GU30513401	33.06	2	GU90401424	34.44	12
GU14615901	33.01	30	GU30516500	33.06	3	GU90402840	34.37	19
GU14615901	33.04	3	GU30577800	34.51	21	GU90403549	33.26	4
GU14615901	33.25	4	GU30611460	33.28	7	GU90403549	34.48	4
GU14615901	34.37	4	GU30714201	34.49	3	GU90404558	33.11	3
GU14717600	33.33	13	GU30717061	33.33	14	GU90405367	34.37	33
GU14912603	36.52	18	GU30728230	33.33	27	GU90408511	33.10	10
GU14927100	36.52	8	GU30729330	33.33	26	GU90412541	34.47	14
GU14927200	36.52	2	GU30906510	36.52	12	GU90706141	33.33	19
GU14927300	36.52	11	GU30912810	36.52	17	GU90706170	34.43	11
GU14929100	36.52	6	GU30944300	33.36	8	GU90706178	34.37	32
GU17034050	34.38	28	GU30970200	33.36	15	GU90706178	34.49	8
GU17045860	34.40	2	GU31003766	33.10	9	GU90706203	34.38	16
GU17661052	33.29	8	GU31003766	34.44	13	GU90706203	34.48	2
GU17947560	36.52	14	GU31103565	33.13	13	GU90706461	34.51	14



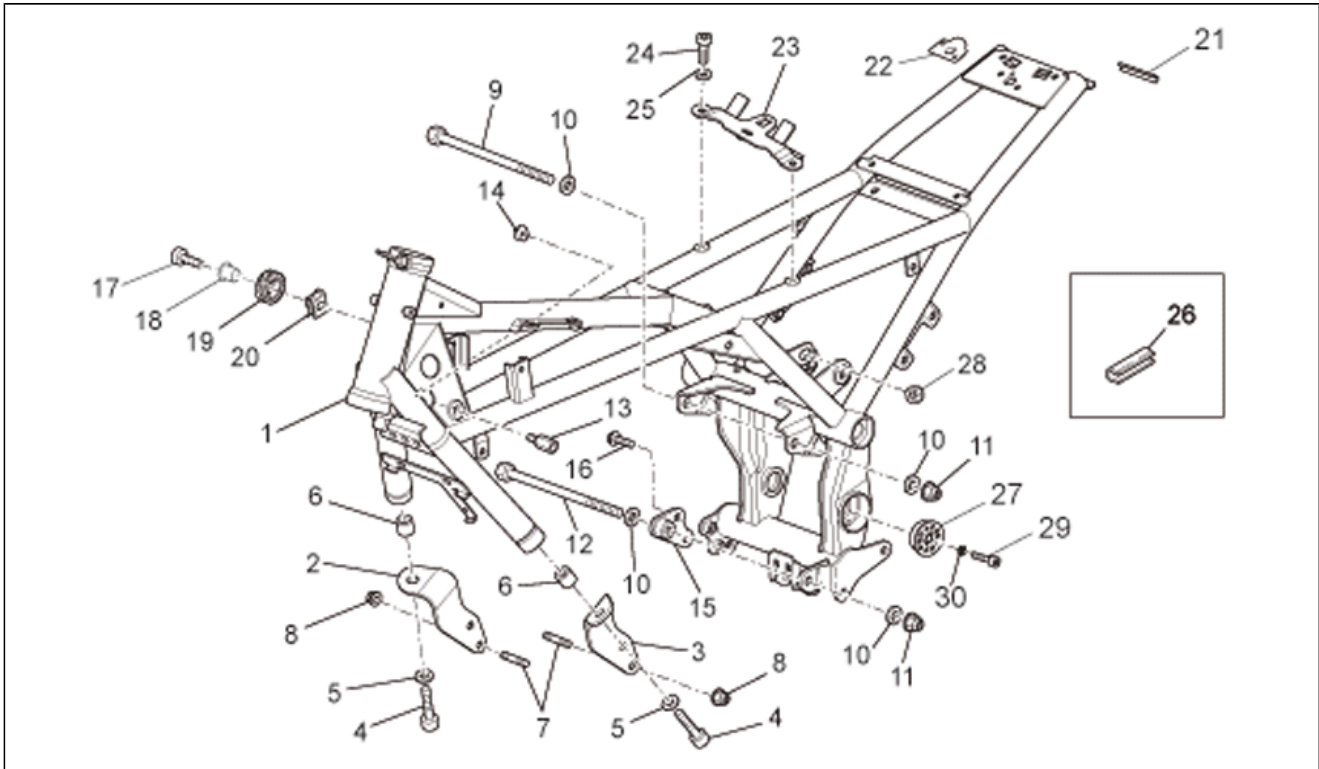
Code	Drawing Nr.	Pos.	Code	Drawing Nr.	Pos.	Code	Drawing Nr.	Pos.
GU90714053	33.24	11	GU94321079	34.42	9	GU98350416	33.01	24
GU90714082	33.21	12	GU94322215	34.38	30	GU98350430	33.13	11
GU90718120	33.10	3	GU95005306	33.07	3	GU98370412	33.19	10
GU90718370	33.25	3	GU95005307	33.19	15	GU98370520	33.14	10
GU91111511	34.38	27	GU95005308	33.15	4	GU98370520	34.51	20
GU91120507	33.32	16	GU95005308	33.31	6	GU98370609	34.50	6
GU91180600	33.13	20	GU95005312	33.25	26	GU98370616	34.44	4
GU91180709	33.15	7	GU95008205	33.32	18	GU98370619	33.07	2
GU91181003	33.27	10	GU95008205	33.33	22	GU98370619	33.13	18
GU91181039	33.07	9	GU95008206	34.37	28	GU98370619	33.19	14
GU91181215	33.01	6	GU95008208	34.50	3	GU98370622	33.15	5
GU91551010	33.15	6	GU95008210	33.05	8	GU98370625	33.14	17
GU91551010	33.21	15	GU95008210	33.33	25	GU98370831	33.31	5
GU91551081	33.13	21	GU95008310	33.29	26	GU98370835	33.15	3
GU91551131	33.13	14	GU95008313	33.01	10	GU98612216	33.02	4
GU91600450	34.49	10	GU95008313	33.02	13	GU98620340	33.07	40
GU91702355	34.40	15	GU95020105	33.02	5	GU98622430	33.07	7
GU92201025	34.45	6	GU95021104	33.19	11	GU98680110	33.33	28
GU92201117	34.45	5	GU95021204	33.33	10	GU98680222	33.32	15
GU92201226	34.47	13	GU95021206	33.31	17	GU98680230	33.24	4
GU92201226	34.48	3	GU95021206	33.32	21	GU98680265	34.49	6
GU92201822	34.46	11	GU95028022	34.48	6	GU98680445	33.25	25
GU92201822	34.47	2	GU95100059	33.24	5	GU98680450	33.10	11
GU92204230	33.11	5	GU95100064	33.32	9	GU98680465	33.03	2
GU92208518	33.11	4	GU95100116	34.51	13	GU98682125	33.33	9
GU92232028	34.48	16	GU95100141	34.49	13	GU98682212	33.33	21
GU92249224	33.08	7	GU95100239	33.13	12	GU98682316	33.05	4
GU92249225	33.06	6	GU95100709	34.37	30	GU98682316	33.29	21
GU92252029	34.46	3	GU95100837	34.40	13	GU98682318	33.31	8
GU92252029	34.47	4	GU95120033	33.33	29	GU98682320	33.05	12
GU92602510	34.41	8	GU95120065	34.38	35	GU98682325	33.08	9
GU92602525	34.40	14	GU95120065	34.40	7	GU98682325	34.37	27
GU92603010	34.38	23	GU95129100	34.51	17	GU98682325	34.51	10
GU92606003	33.33	30	GU95129131	33.34	18	GU98682416	33.17	11
GU92606206	33.29	15	GU95129180	34.38	40	GU98682416	33.35	7
GU92606516	34.49	4	GU95129340	34.48	11	GU98682418	33.01	17
GU92609408	33.34	19	GU95187006	34.42	5	GU98682425	33.04	2
GU92630707	33.05	11	GU95510620	33.10	4	GU98682650	33.01	4
GU92650138	33.25	30	GU95512081	34.37	9	GU98683530	33.27	8
GU92660021	33.25	5	GU95960609	33.21	6	GU98690335	33.18	23
GU92660021	34.37	5	GU95980319	34.44	6	GU98692318	33.31	16
GU92660208	33.21	13	GU95990037	34.41	12	GU98692318	33.32	4
GU92660601	33.01	14	GU96508040	34.38	19	GU98692414	33.01	29
GU92660801	33.13	15	GU96508066	34.37	3	GU98710215	33.03	3
GU92750180	34.40	11	GU96508075	34.37	7	GU99210406	33.10	14
GU92787006	33.31	18	GU97202355	34.44	2			
GU92787006	33.32	5	GU97202665	33.28	4			
GU93180111	33.26	11	GU97260415	33.17	10			
GU93180220	34.44	3	GU97260415	33.35	6			
GU93231605	33.32	8	GU98052560	33.07	4			
GU93232005	33.14	11	GU98082390	34.37	25			
GU93232005	34.51	22	GU98082475	34.50	2			
GU93304360	33.33	16	GU98084316	34.38	34			
GU93304360	33.34	17	GU98084316	34.42	4			
GU93304390	33.08	4	GU98084320	34.40	6			
GU93305061	34.51	6	GU98084425	33.25	6			
GU93306017	33.21	14	GU98084425	34.37	12			
GU93306017	33.22	7	GU98110007	33.25	8			
GU93306018	33.21	5	GU98230512	33.14	8			
GU93450105	33.31	4	GU98231235	33.02	12			
GU93450105	33.32	20	GU98257320	33.18	17			
GU93450126	33.32	12	GU98310609	34.51	12			
GU93450127	33.31	14	GU98310631	34.37	22			
GU93450224	33.32	7	GU98350210	33.24	10			
GU93450232	33.31	3	GU98350218	33.32	10			
GU93601022	34.48	7	GU98350312	33.24	6			
GU94321070	33.18	20	GU98350330	34.41	5			

Assembly	FRAME
Code	33.01
Description	Frame
Revision	1



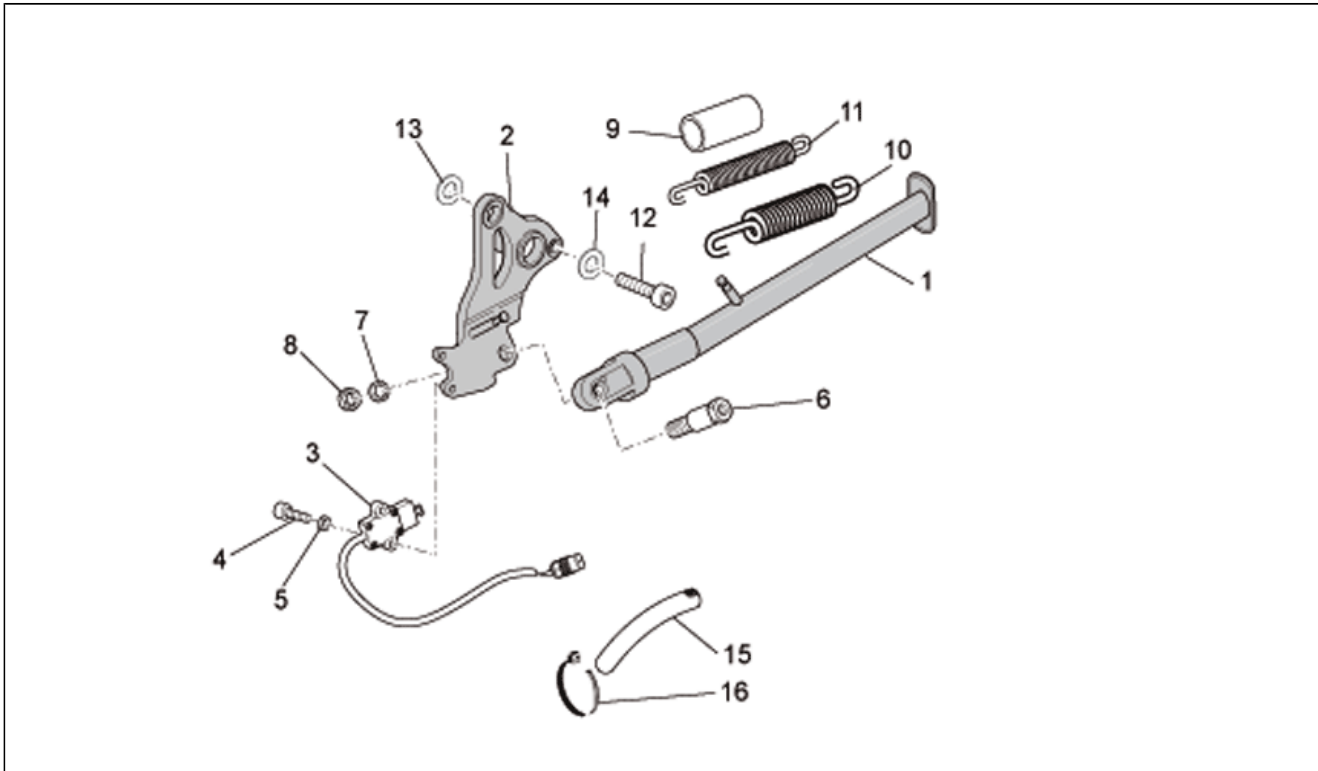
Pos.	Code	Description	Q.ty	Variants
1	977790	Frame	1	
2	GU05421430	RH plate	1	
3	GU05421530	LH plate	1	
4	GU98682650	Hex socket screw M12x50	2	
5	GU30217900	Washer 13x18x1,7	2	
6	GU91181215	Spacer 12x35x14	2	
7	977809	Stud bolt M10x38	4	
8	AP8152301	Self-locking nut M10*	4	
9	AP8221307	Pin M12	1	
10	GU95008313	Washer 13x24x2,5	4	
11	AP8150432	Low self-locking nut M12*	2	
12	AP8221160	Pin M12	1	
13	GU03469200	Stud bolt	2	
14	GU92660601	Captive nut	2	
15	GU05425530	RH plate	1	
16	AP8152286	Screw w/ flange M8x20	2	
17	GU98682418	Screw	2	
18	977699	T bush 8,2x10,2x4	2	
19	AP8201124	Rubber spacer *	2	
20	GU01576530	Nut with clip M8x1,25	2	
21	GU06409800	Gasket	1	
22	978632	Protection	1	
23	GU30461360	Plate	1	
24	GU98350416	Hex socket screw M8x16	2	
25	GU03270300	Washer 8,4x15	2	
26	AP8144707	Gasket	5	
27	978526	Plug	2	
28	AP8220162	Rubber spacer	2	

Assembly	FRAME
Code	33.01
Description	Frame
Revision	1



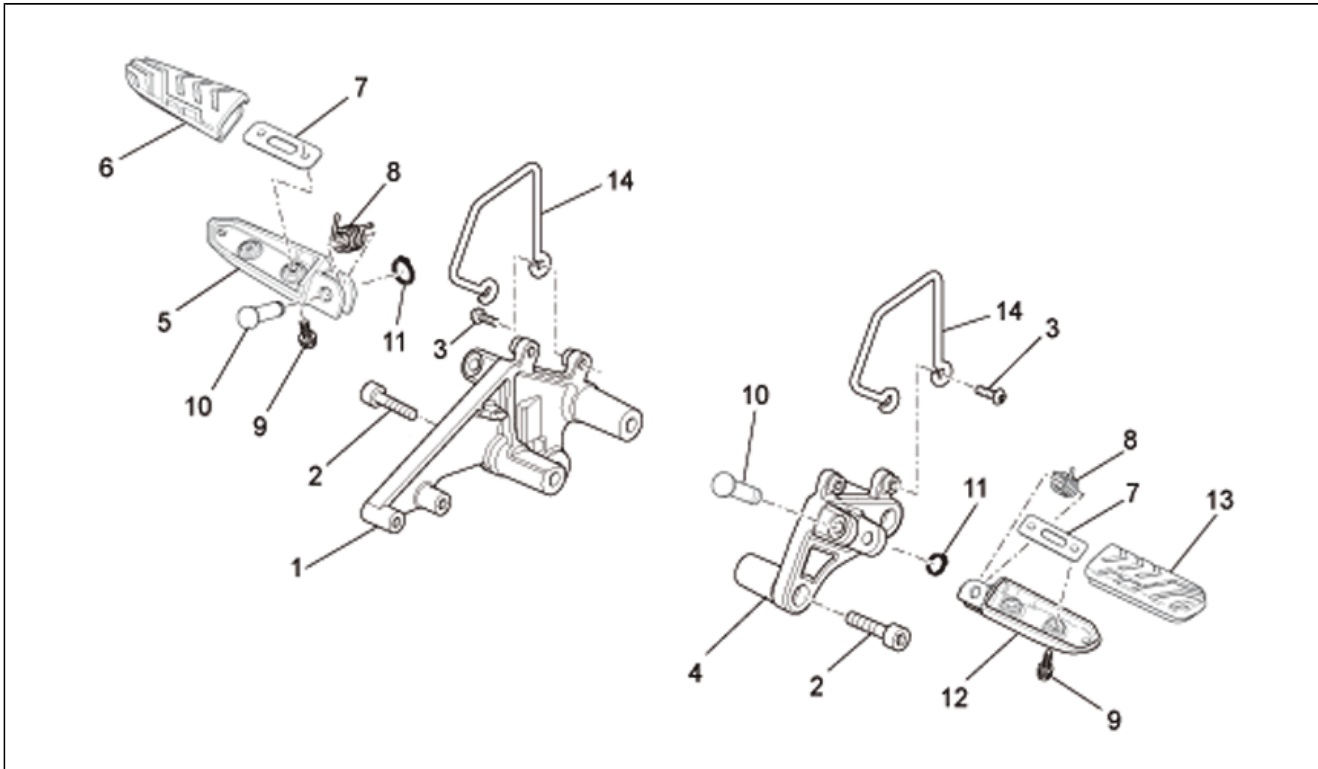
Pos.	Code	Description	Q.ty	Variants
29	GU98692414	Screw M8x14	2	
30	GU14615901	Washer 8,4X13X0,8	2	

Assembly	FRAME
Code	33.02
Description	Central stand
Revision	1



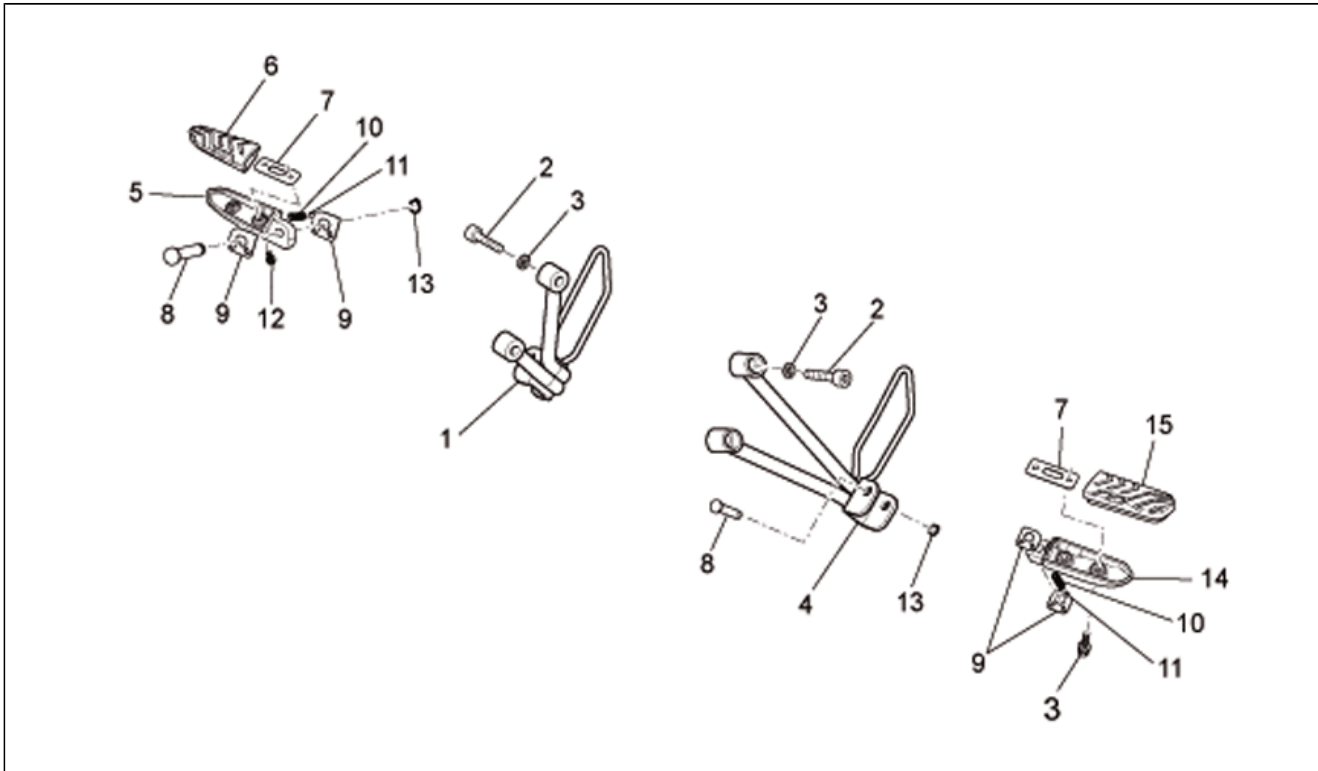
Pos.	Code	Description	Q.ty	Variants
1	978358	Lateral stand	1	
2	977080	Stand plate	1	
3	639542	Lateral stand switch	1	
4	GU98612216	Hex socket screw M5x16	2	
5	GU95020105	Washer 5,3x8,9x2,4	2	
6	AP8121994	Central stand fixing screw	1	
7	AP8150292	Curved spring washer *	1	
8	AP8152001	Low nut M10x1,25*	1	
9	AP8102524	Stand spring protection	1	
10	AP8221204	Lateral stand spring	1	
11	AP8221211	Internal lateral stand spring	1	
12	GU98231235	Hex socket screw M12x35	2	
13	GU95008313	Washer 13x24x2,5	2	
14	GU30217900	Washer 13x18x1,7	2	
15	GU00823923140	Thermal sheath	1	
16	GU14609650	Hose clamp 3,6x20,6	2	

Assembly	FRAME
Code	33.03
Description	Foot rests I
Revision	1



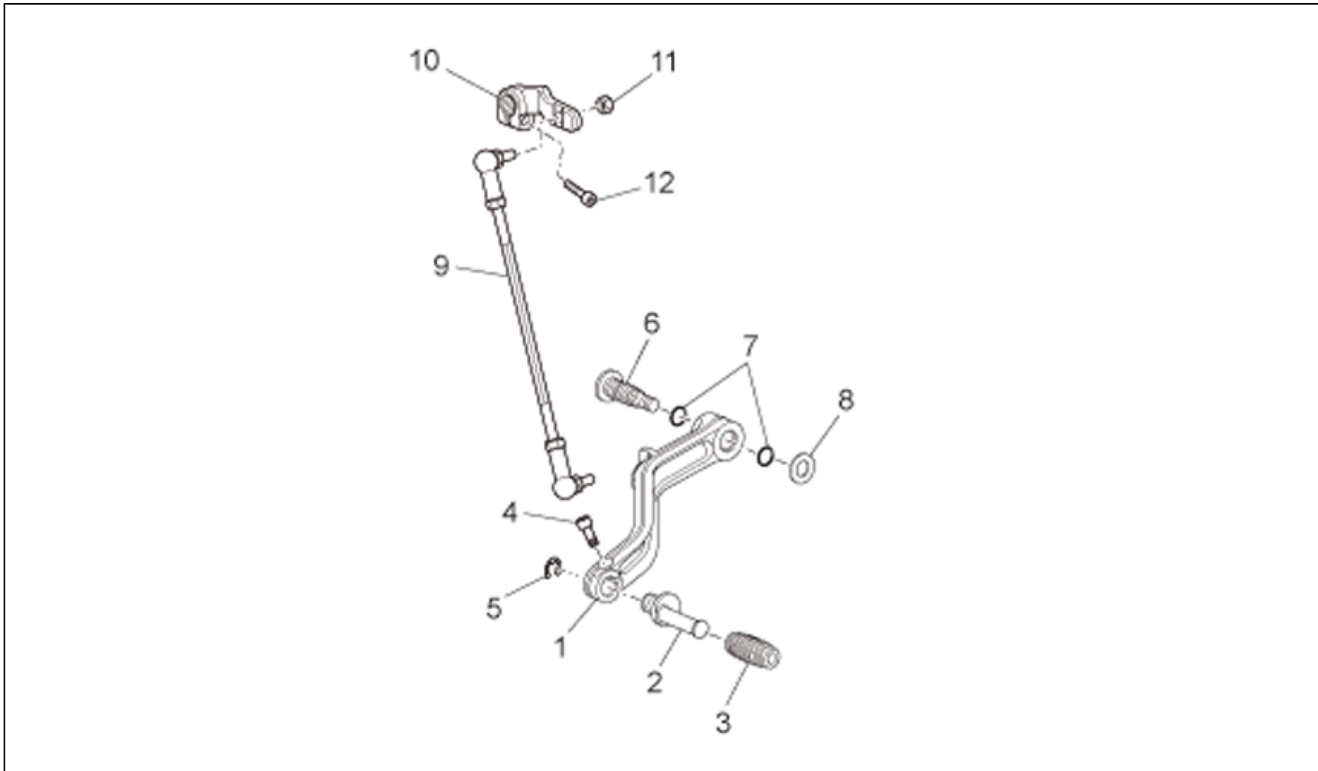
Pos.	Code	Description	Q.ty	Variants
1	978224	RH front footrest bracket	1	
2	GU98680465	Screw	4	
3	GU98710215	Screw M5x15	4	
4	978225	LH front footrest bracket	1	
5	AP8145034	RH Foot rests	1	
6	GU32443210	Support rubber part	1	
7	GU32441210	Plate	2	
8	AP8221277	Footrest return spring	1	
9	AP8152277	Screw w/ flange M6x12*	4	
10	AP8121567	Pin	2	
11	AP8152409	Stop ring	2	
12	AP8145035	LH Foot rests	1	
13	GU32443211	Support rubber part	1	
14	978472	Protection	2	

Assembly	FRAME
Code	33.04
Description	Foot rests II
Revision	1



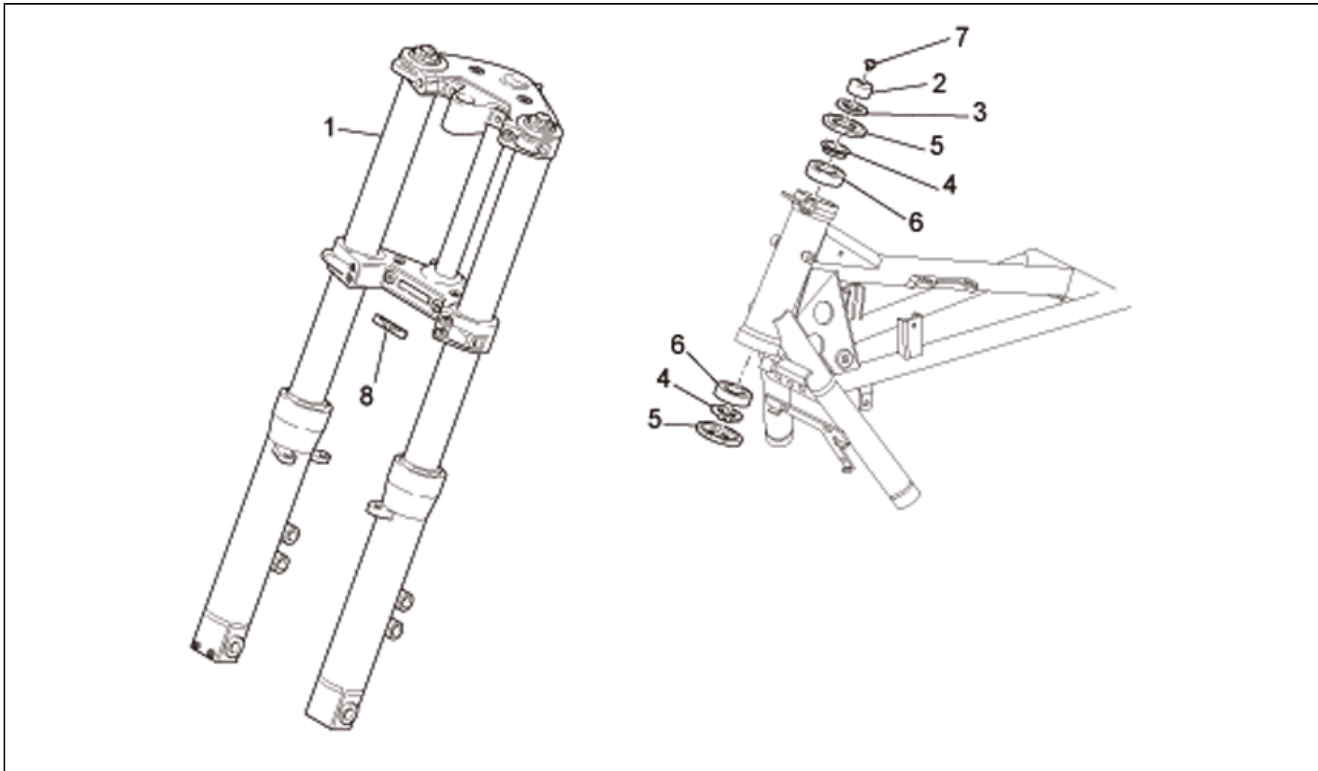
Pos.	Code	Description	Q.ty	Variants
1	978467	RH footrest support	1	
2	GU98682425	Hex socket screw M8x25	4	
3	GU14615901	Washer 8,4X13X0,8	4	
4	978473	LH footrest support	1	
5	GU32442310	Rear footrest, RH	1	
6	GU32443210	Support rubber part	1	
7	GU32441210	Plate	2	
8	AP8134829	Footrest pin	2	
9	AP8134451	Footrest plate	4	
10	AP8121133	Coil compress. spring *	2	
11	AP8101861	Ball D6,35	2	
12	AP8152277	Screw w/ flange M6x12*	4	
13	AP8152409	Stop ring	2	
14	GU32442710	Rear footrest, LH	1	
15	GU32443211	Support rubber part	1	

Assembly	FRAME
Code	33.05
Description	Gear lever
Revision	1



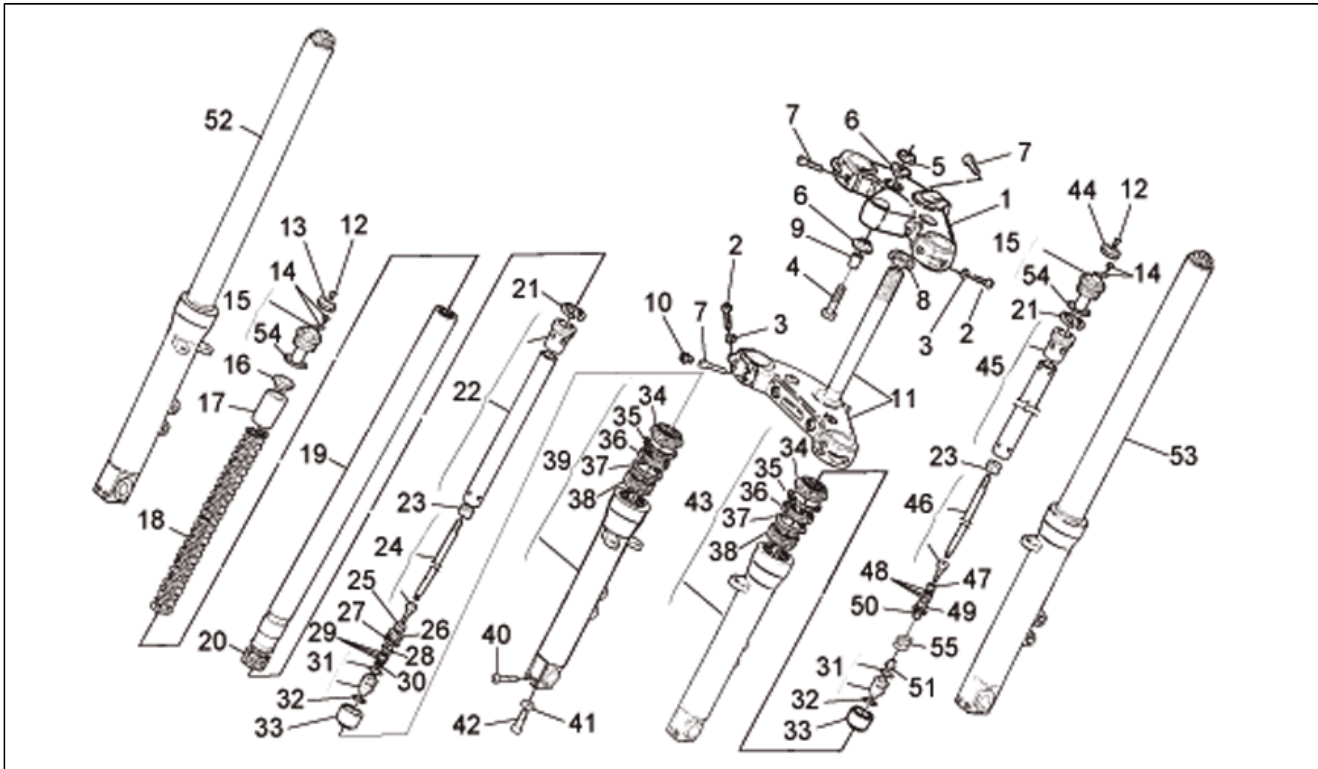
Pos.	Code	Description	Q.ty	Variants
1	GU06250900	Gear lever	1	
2	AP8121221	Brake lever pin	1	
3	AP8120912	Lever rubber	1	
4	GU98682316	Hex socket screw M6x16	1	
5	AP8150462	Circlip d9	1	
6	AP8121223	Rear brake lever pin	1	
7	AP8144007	O-ring 11,11x1,78	2	
8	GU95008210	Washer 10,2X18X2	1	
9	978568	Change gear tie rod compl.	1	
10	GU05256930	Lever	1	
11	GU92630707	Nut M6X1	2	
12	GU98682320	Hex socket screw M6x20	1	

Assembly	FRAME
Code	33.06
Description	Front fork I
Revision	1



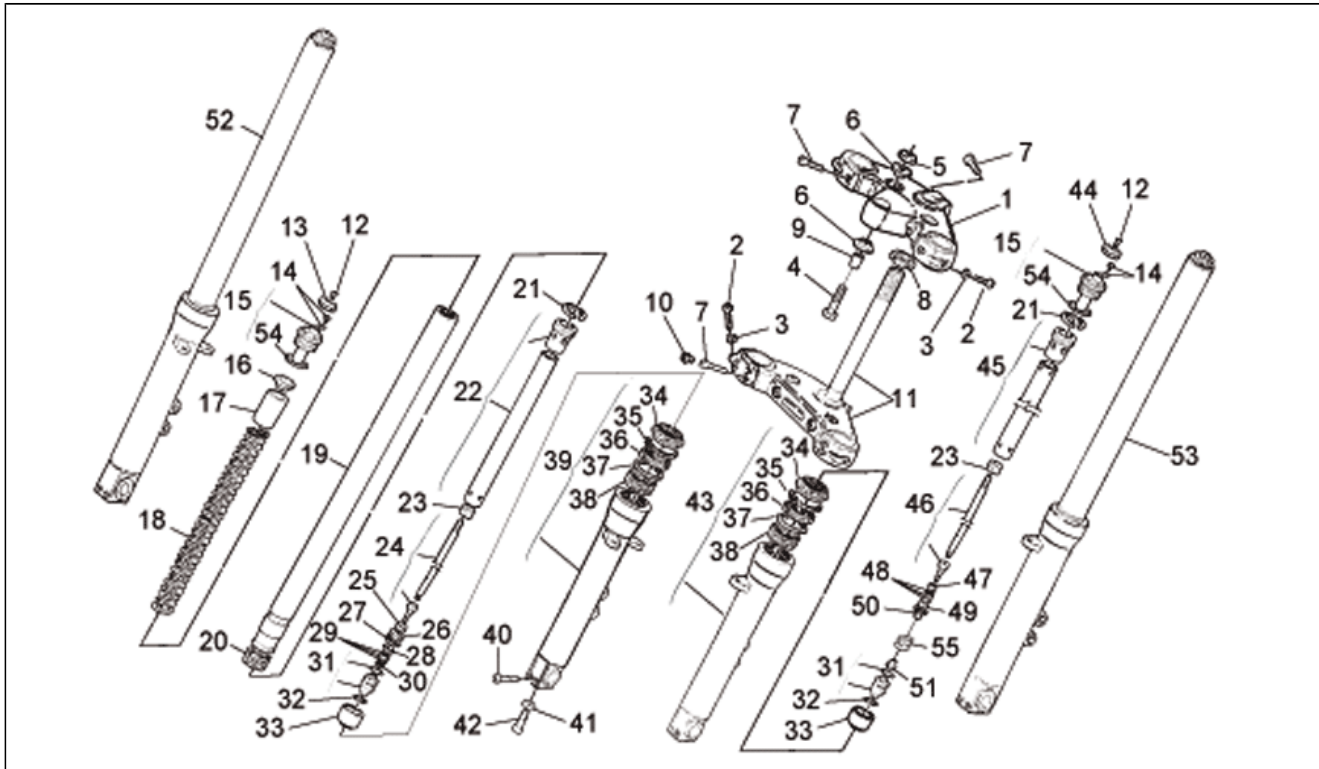
Pos.	Code	Description	Q.ty	Variants
1	GU03490270	Front fork	1	
2	GU30513401	Head fixing nut	1	
3	GU30516500	Washer	1	
4	GU14516700	Clearance washer	2	
5	GU14517000	Dust cover	2	
6	GU92249225	Tap.roller bearing	2	
7	GU23943510	Plug	1	
8	GU01517700	Decal "Aquila"	1	

Assembly	FRAME
Code	33.07
Description	Front fork II
Revision	1



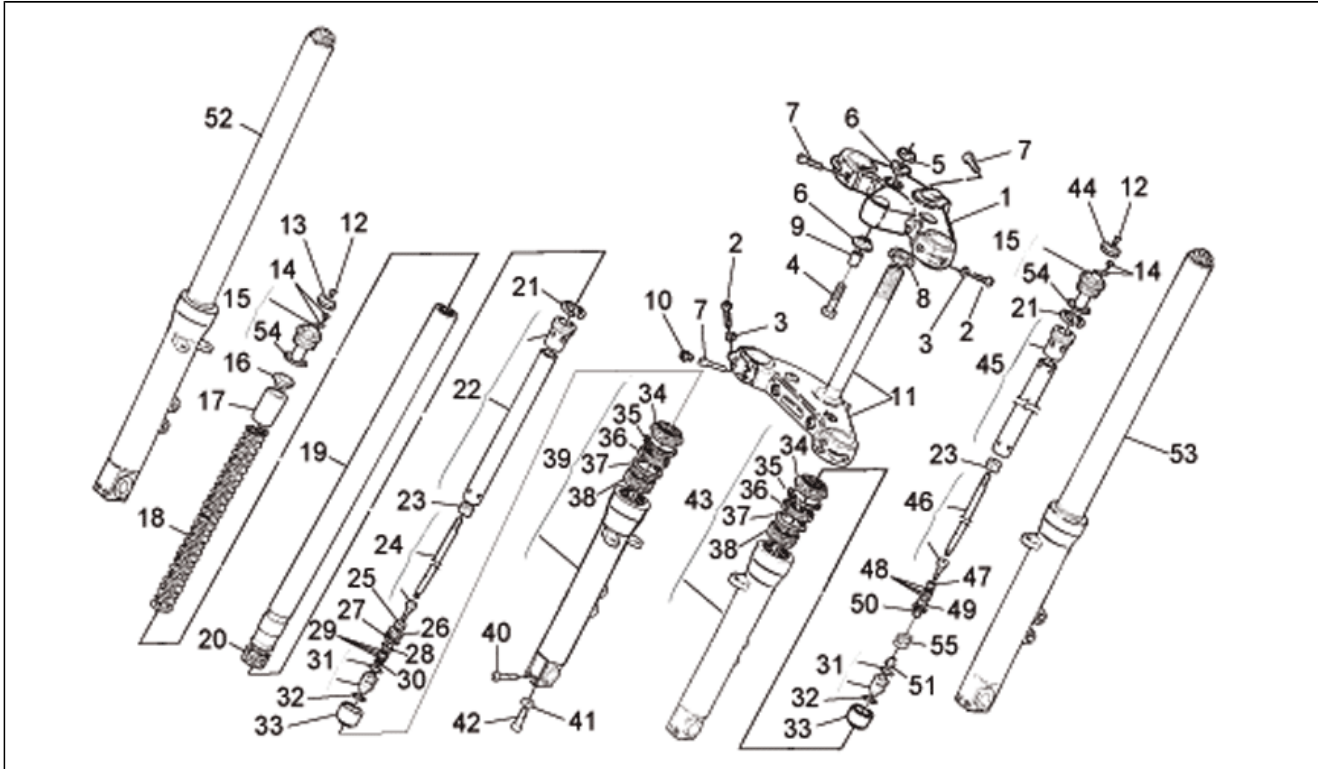
Pos.	Code	Description	Q.ty	Variants
1	GU03493100	Fork upper plate	1	
2	GU98370619	Hex socket screw M6x18	6	
3	GU95005306	Washer 6,4x13x1,5	6	
4	GU98052560	Screw M10x60	2	
5	GU27530505	Cup	4	
6	AP8144222	Rubber spacer	4	
7	GU98622430	Screw M8X30	7	
8	GU03498100	Ring nut	1	
9	GU91181039	Spacer	2	
10	GU23943410	Plug	4	
11	GU03494000	Stem base	1	
12	GU03530504	Screw	2	
13	GU03530505	RH adjustment knob rebound	1	
14	GU03530506	Screw with OR	2	
15	GU03530507	Plug cpl.	2	
16	GU03530508	Cup	2	
17	GU03530509	Preload tube	2	
18	GU03526600	Spring	2	
19	GU03525400	Sleeve	2	
20	GU03530510	Lower bush	2	
21	GU03530511	Ring	2	
22	GU03530512	RH hub	1	
23	GU03530513	Return nut	2	
24	GU03530514	RH shock absorber	1	
25	GU03530515	Return spring	1	
26	GU03530516	RH piston rebound	1	
27	GU03530517	RH piston segmentrebound	1	
28	GU03530518	RH needle rebound	1	

Assembly	FRAME
Code	33.07
Description	Front fork II
Revision	1



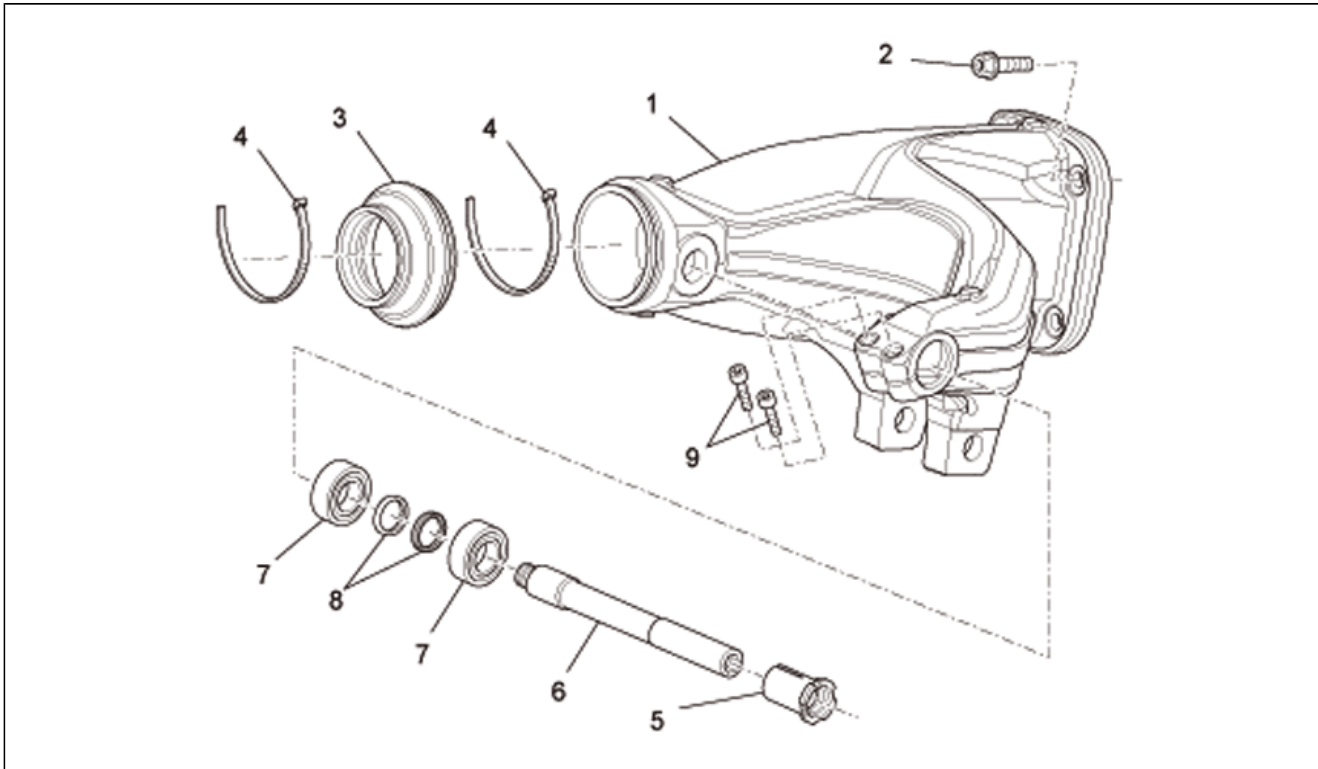
Pos.	Code	Description	Q.ty	Variants
29	GU03530519	Calibration blade	5	
30	GU03530520	Nut	1	
31	GU03530521	Stroke limit stop	2	
32	GU03530522	O-ring	2	
33	GU03530523	Adaptor	2	
34	GU03530524	Dust cover	2	
35	GU03530525	Stop ring	2	
36	GU03530526	Gasket ring	2	
37	GU03530527	Cup	2	
38	GU03530528	Upper bush	2	
39	GU03522501001	RH sleeve	1	
40	GU98620340	Screw	4	
41	GU03530529	Washer	2	
42	GU03530530	Screw M10x30	2	
43	GU03522601001	LH sleeve	1	
44	GU03530531	LH adjustment knob comp.	1	
45	GU03530532	LH hub	1	
46	GU03530533	LH shock absorber	1	
47	GU03530534	Cup	1	
48	GU03530535	Calibration blade 12 mm	1	
48	GU03530536	Calibration blade 15 mm	1	
48	GU03530537	Calibration blade 17 mm	1	
49	GU03530538	LH needle compression	1	
50	GU03530539	LH piston compression	1	
51	GU03530540	Nut	1	
52	GU03490611	RH hub cpl.	1	
53	GU03490711	LH hub cpl.	1	
54	GU03530541	O-ring	2	

Assembly	FRAME
Code	33.07
Description	Front fork II
Revision	1



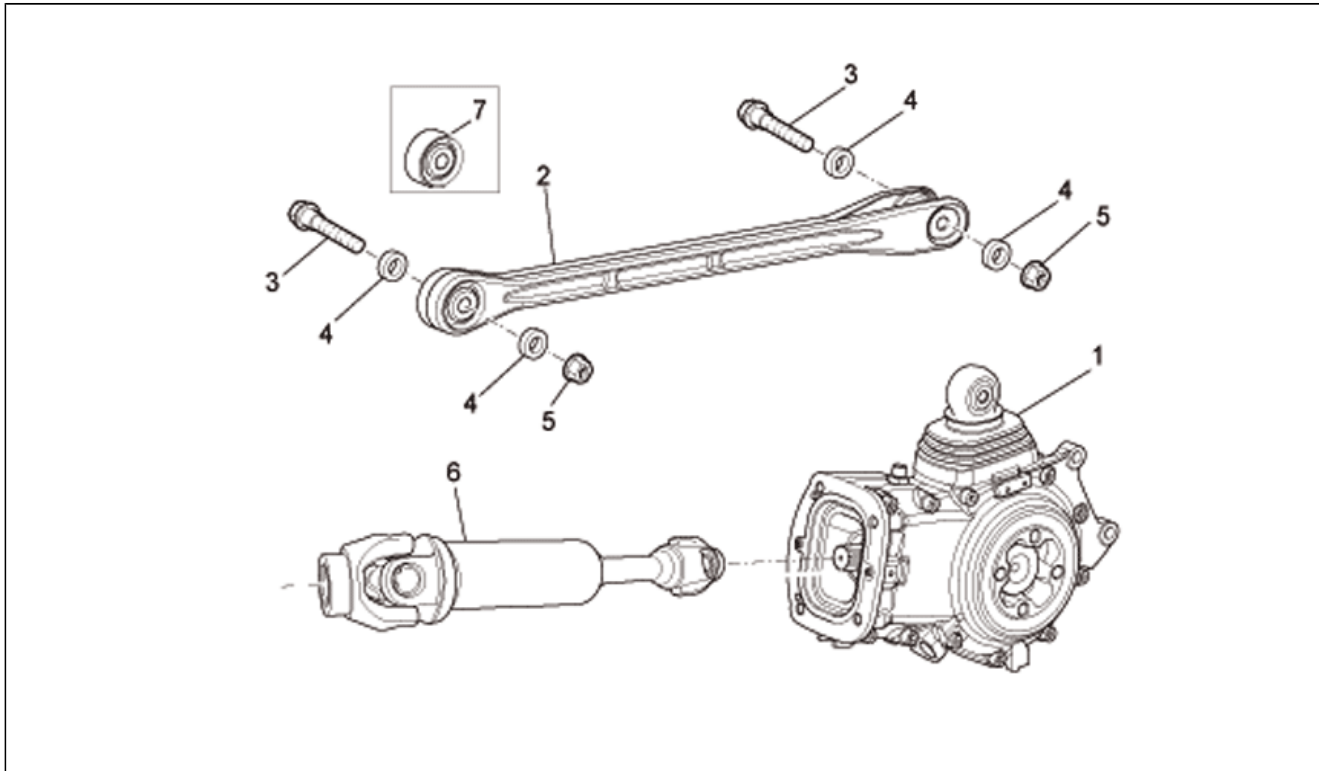
Pos.	Code	Description	Q.ty	Variants
55	GU03526601	Spring	1	

Assembly	FRAME
Code	33.08
Description	Swing arm
Revision	1



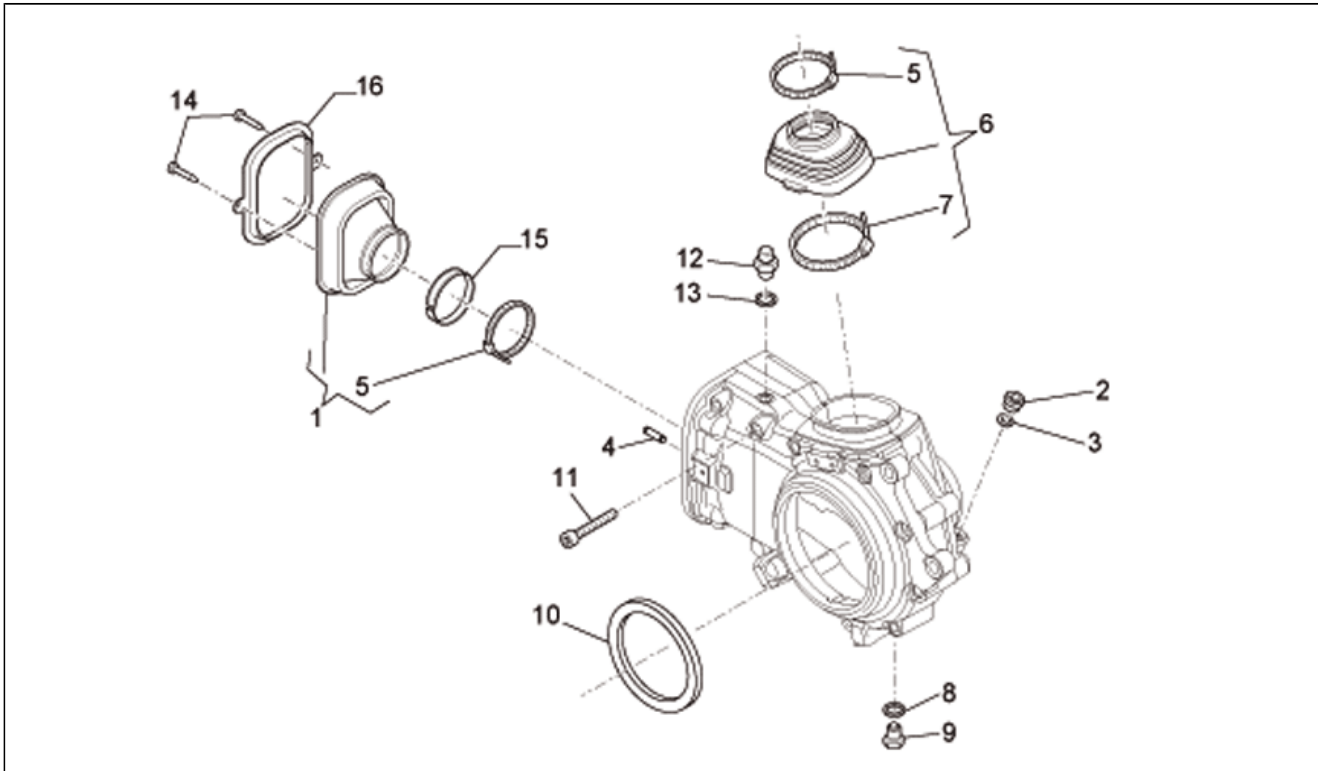
Pos.	Code	Description	Q.ty	Variants
1	978350	Swing arm, black	1	
2	AP8152318	Screw w/ flange M10x35	4	
3	GU05548030	Rubber bellows	1	
4	GU93304390	Hose clamp 3,6x375	2	
5	GU05547130	Bush	1	
6	GU05547030	Pin	1	
7	GU92249224	Roller bearing 25x47x17	2	
8	GU05547930	Gasket ring	2	
9	GU98682325	Hex socket screw M6x25	2	

Assembly	FRAME
Code	33.09
Description	Transmission complete
Revision	1



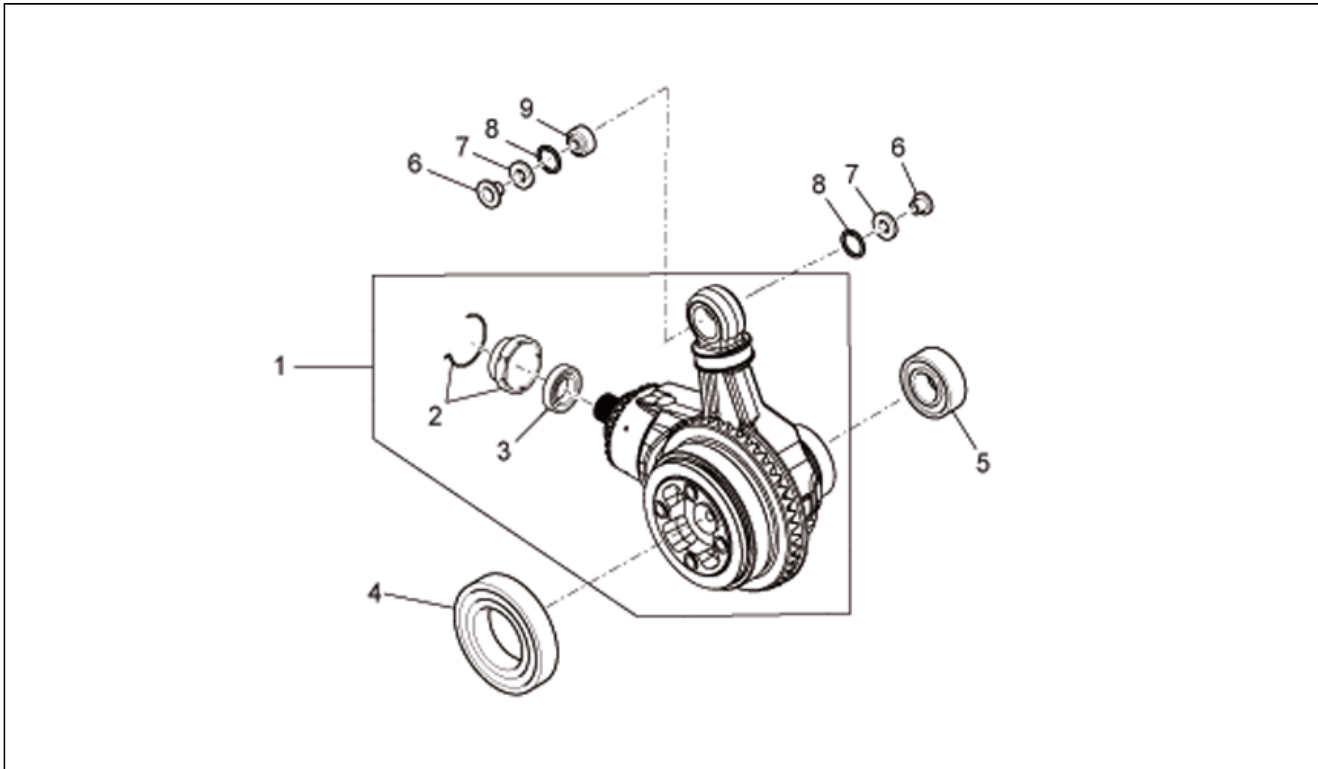
Pos.	Code	Description	Q.ty	Variants
1	978348	Transmission complete black	1	
2	883046	Reaction rod assy.	1	
3	AP8152410	Screw w/ flange M10x55	2	
4	AP8121218	Spacer 10,2x20x4	4	
5	AP8152242	Nut M10	2	
6	GU05326330	Drive shaft	1	
7	883045	Silent-block	1	

Assembly	FRAME
Code	33.10
Description	Trans.cpl.-Cage
Revision	1



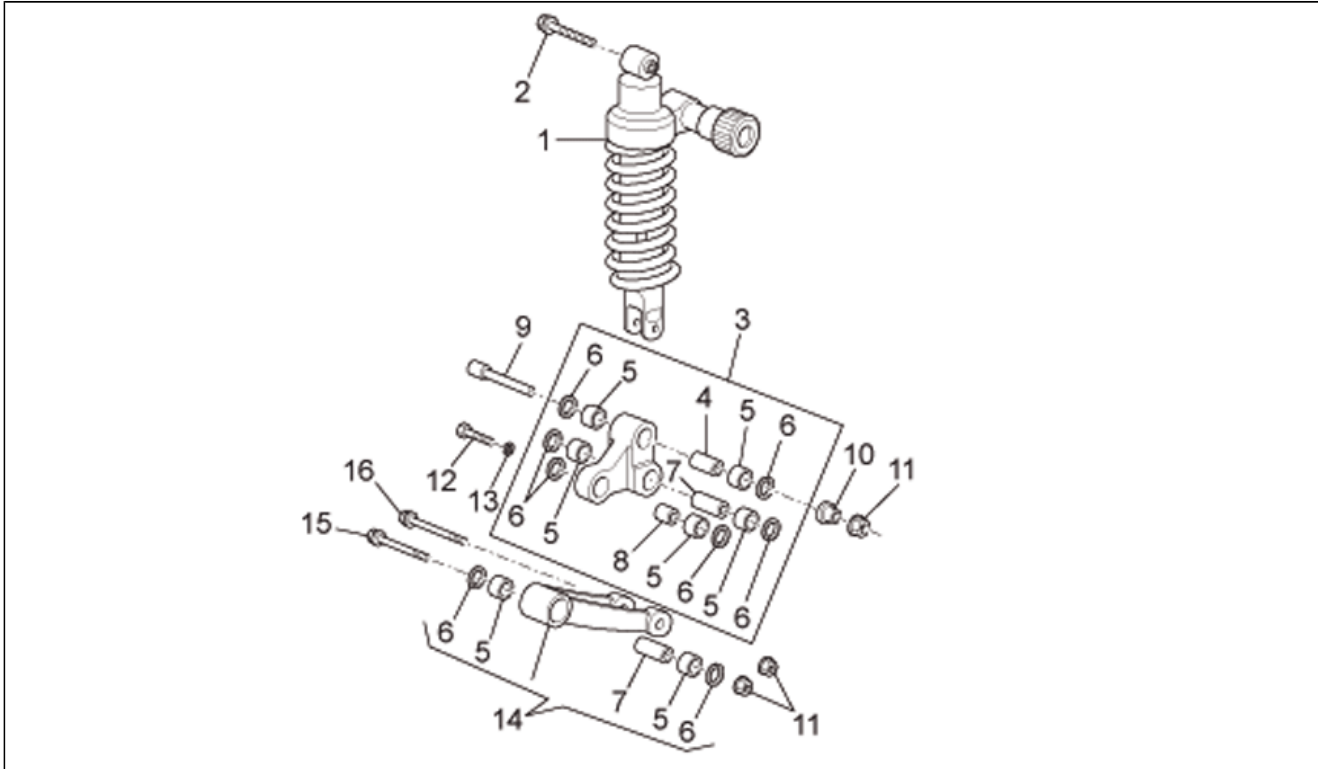
Pos.	Code	Description	Q.ty	Variants
1	GU05358330	Upper dust cover	1	
2	GU05351230	Oil plug M12x1,5	1	
3	GU90718120	Washer	1	
4	GU95510620	Pin 6x20	2	
5	GU05358130	Hose clamp	2	
6	GU05358030	Upper dust cover	1	
7	GU05358230	Hose clamp	1	
8	GU01528930	Gasket 10x18x1,5	1	
9	GU31003766	Oil unload plug M10X1	1	
10	GU90408511	Gasket ring 85x110x8BASL	1	
11	GU98680450	Hex socket screw M8x50	11	
12	GU05206530	Breather plug	1	
13	GU01528930	Gasket 10x18x1,5	1	
14	GU99210406	Screw M3,9x6,5	2	
15	GU05358530	Ring	1	
16	GU05358630	Gasket	1	

Assembly	FRAME
Code	33.11
Description	Trans.cpl.-Bevel gear
Revision	1



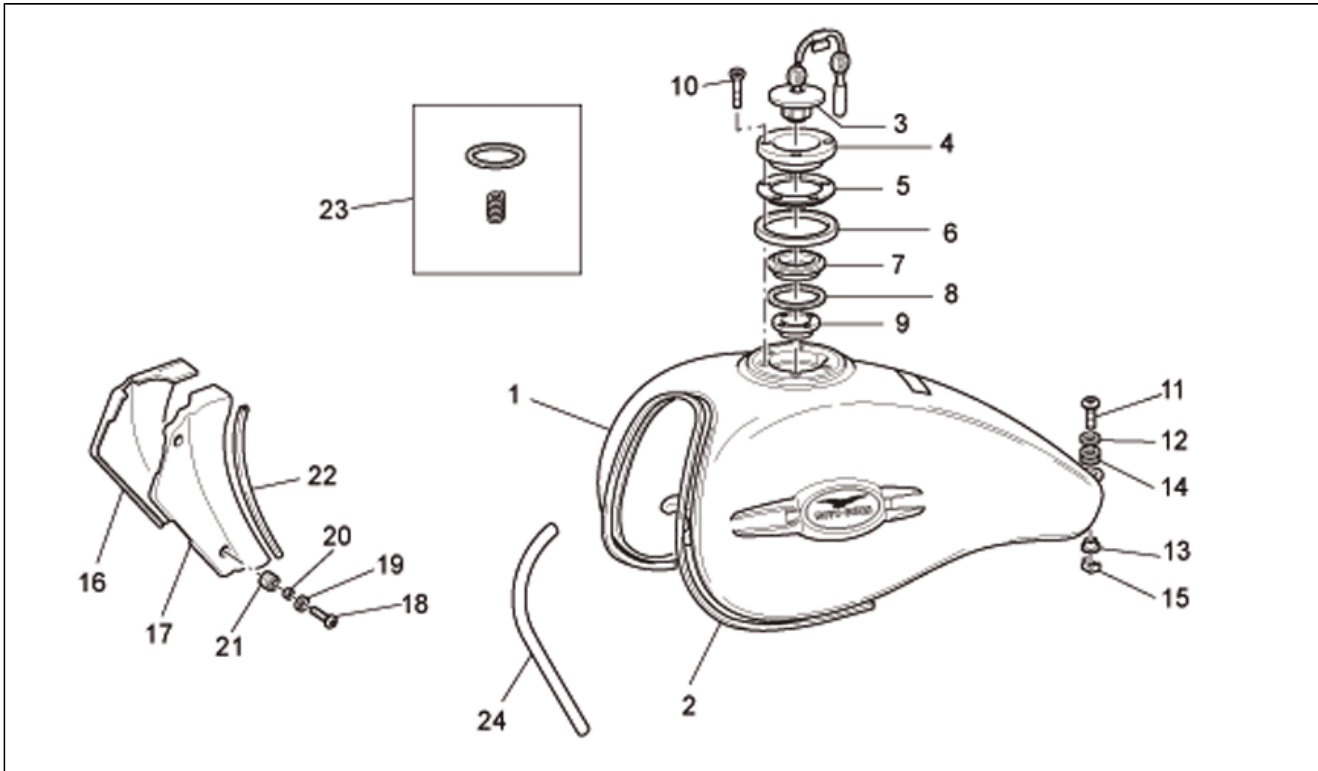
Pos.	Code	Description	Q.ty	Variants
1	GU05354230	Bevel gear kit 12/44	1	
2	GU05352430	Ring nut	1	
3	GU90404558	Gasket ring 45x58x7	1	
4	GU92208518	Ball bearing 85x120x18	1	
5	GU92204230	Ball bearing 30x62x16	1	
6	AP8121098	Bush	2	
7	AP8120485	Gasket ring	2	
8	GU90273026	Circlip	2	
9	GU05638130	Ball joint	1	

Assembly	FRAME
Code	33.12
Description	Connecting rod - rear shock abs.
Revision	1



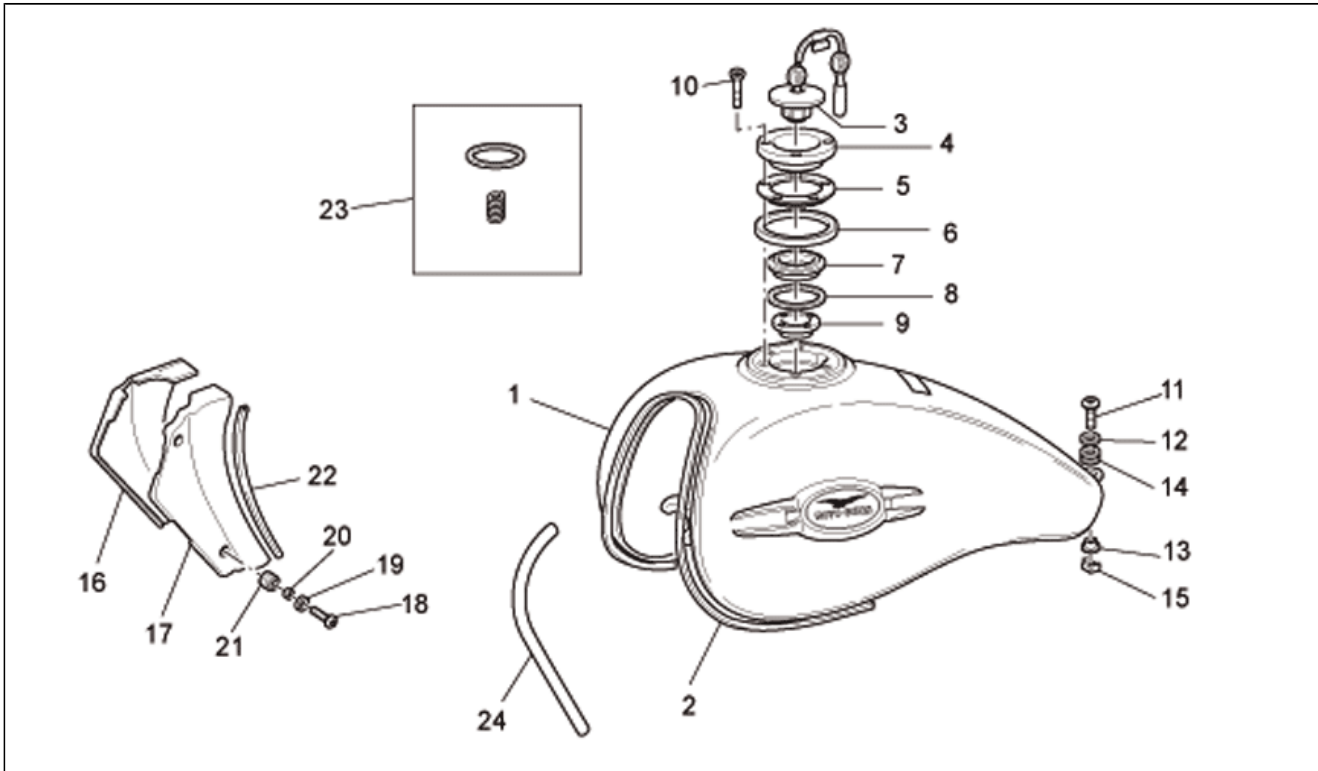
Pos.	Code	Description	Q.ty	Variants
1	883114	Shock absorber mm 287	1	year: 2008[8] Color: Grey/white 2008[gr/wh], red/white 2008[r/wh] Technical Specifications: Luxury version[LUX]
1	883114	Shock absorber mm 287	1	year: 2009[9] Color: Black Eagle 2009[b.eagle]
1	977872	Shock absorber	1	year: 2007[7], 2008[8] Color: Black 2007-2008[black] Technical Specifications: Basic version[BASE]
2	AP8152398	Screw w/ flange M10x80	1	
3	GU05560330	Double conrod	1	
4	AP8135924	Double connecting rod pin L40	1	
5	AP8110066	Needle bearing	7	
6	AP8110068	Oil seal D18x24x3	8	
7	GU05562030	Double connecting rod pin L47	2	
8	AP8135608	Double connecting rod pin L25	1	
9	AP8152397	Hex socket screw M10x82	1	
10	AP8121155	T bush *	1	
11	AP8152301	Self-locking nut M10*	3	
12	AP8152147	Hex screw M10x47	1	
13	AP8150292	Curved spring washer *	1	
14	GU05562430	Single conrod comp.	1	
15	AP8152482	Screw w/ flange M10x85	1	
16	AP8152396	Screw w/ flange M10x95	1	

Assembly	FRAME
Code	33.13
Description	Fuel tank
Revision	1



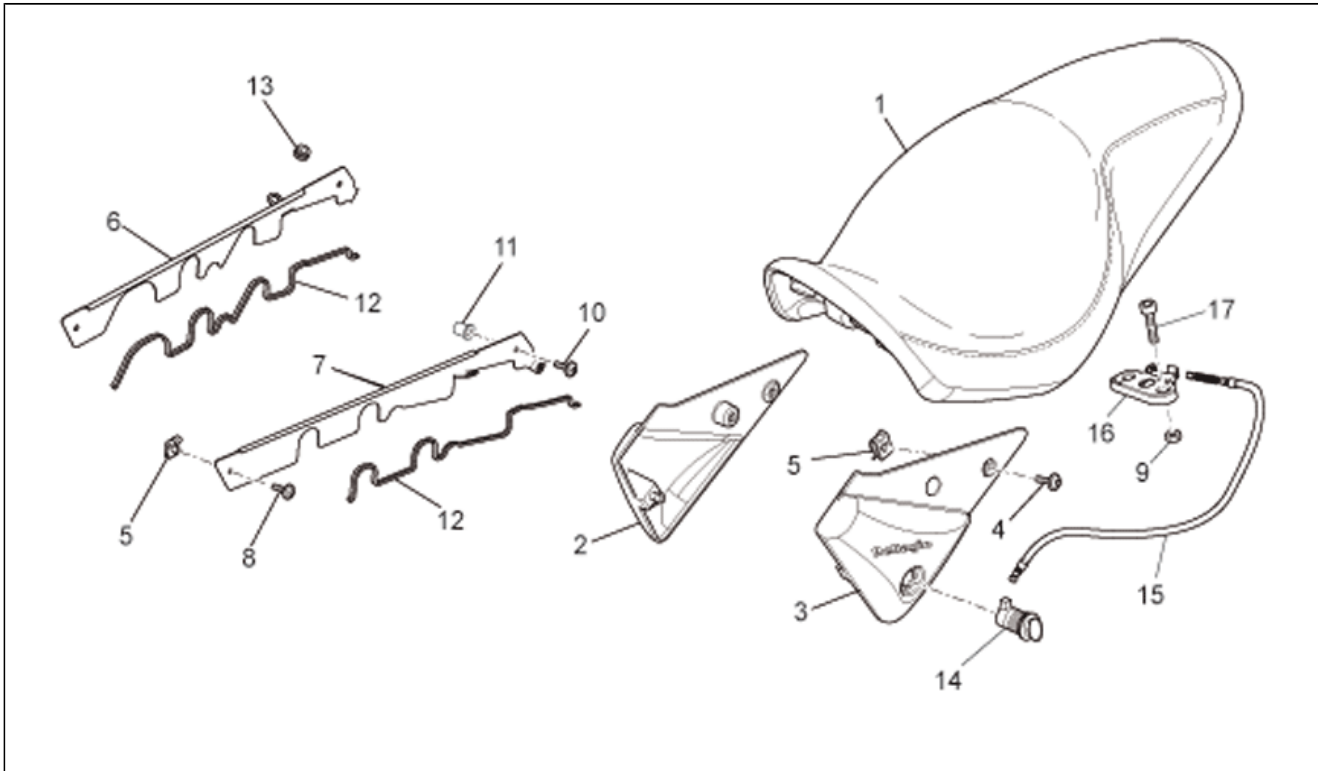
Pos.	Code	Description	Q.ty	Variants
1	88615300NG	Fuel tank, black	1	year: 2009[9] Color: Black Eagle 2009[b.eagle] Country: Australia[AUS], Other country[EU], Japan[J], Great Britain[UK]
1	GU03100270	Fuel tank blank	1	Country: Australia[AUS], Other country[EU], Japan[J], Great Britain[UK]
1	GU0310027000EE	Fuel tank grey platinum/white	1	year: 2008[8] Color: Grey/white 2008[gr/wh] Country: Australia[AUS], Other country[EU], Japan[J], Great Britain[UK] Technical Specifications: Luxury version[LUX]
1	GU0310027000YR1	Fuel tank, grey/red	1	year: 2008[8] Color: red/white 2008[r/wh] Country: Australia[AUS], Other country[EU], Japan[J], Great Britain[UK] Technical Specifications: Luxury version[LUX]
1	GU03100270NG	Fuel tank, black	1	year: 2007[7], 2008[8] Color: Black 2007-2008[black] Country: Australia[AUS], Other country[EU], Japan[J], Great Britain[UK] Technical Specifications: Basic version[BASE]
2	GU03106400	Gasket	1	
3	GU32103960	Tank cap	1	Country: Australia[AUS], Other country[EU], Japan[J], Great Britain[UK]
4	GU03101900	Flange	1	
5	GU03103500	Ring	1	
6	GU03102400	Gasket	1	
7	GU03102200	Plug ring nut	1	
8	GU03101600	Gasket	1	
9	GU03101720	Reduction 38 mm	1	
10	GU03103200	Screw	5	
11	GU98350430	Hex socket screw M8x30	1	

Assembly	FRAME
Code	33.13
Description	Fuel tank
Revision	1



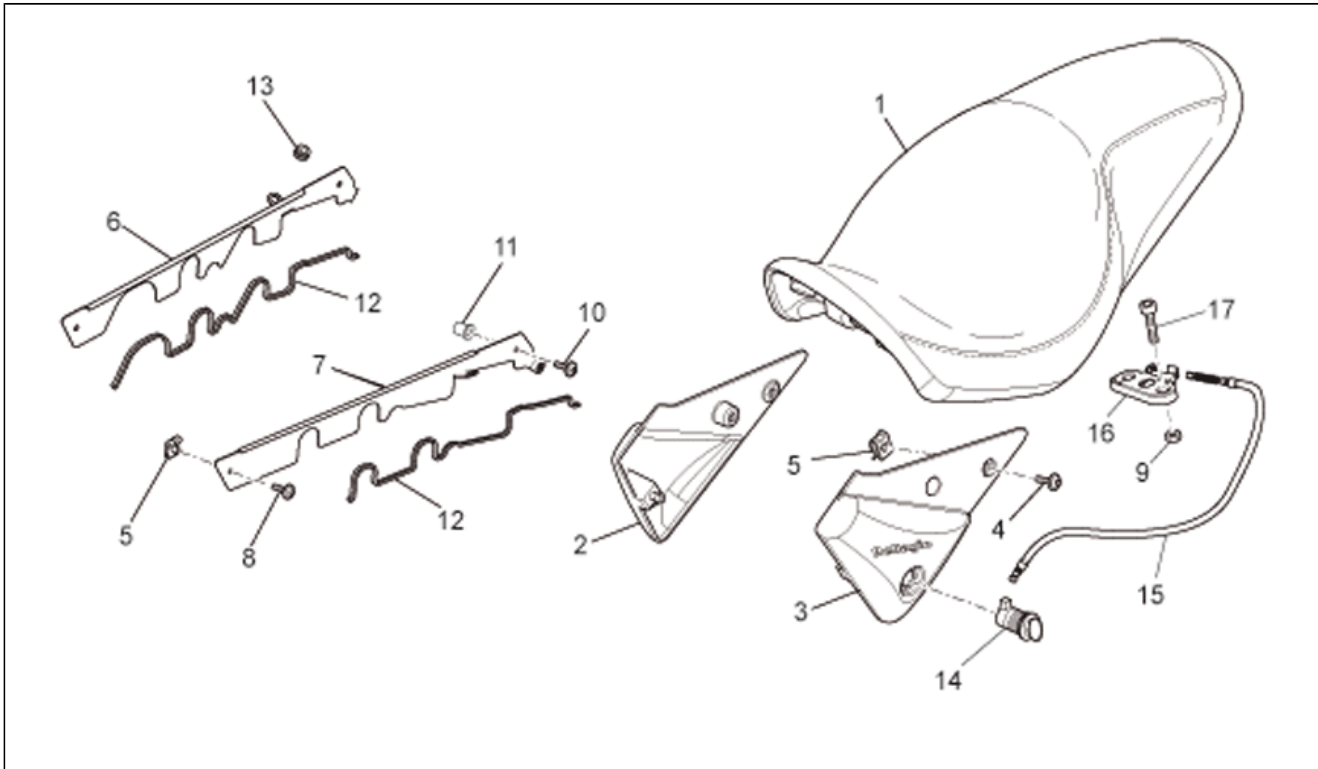
Pos.	Code	Description	Q.ty	Variants
12	GU95100239	Washer	1	
13	GU31103565	Spacer	1	
14	GU91551131	Rubber spacer	1	
15	GU92660801	Captive nut	1	
16	883256	RH front protect black	1	year: 2008[8] Color: Grey/white 2008[gr/wh], red/white 2008[r/wh] Technical Specifications: Luxury version[LUX]
16	883256	RH front protect black	1	year: 2009[9] Color: Black Eagle 2009[b.eagle]
16	GU03472460	RH front protect black	1	year: 2007[7], 2008[8] Color: Black 2007-2008[black] Technical Specifications: Basic version[BASE]
17	883255	LH front protect black	1	year: 2008[8] Color: Grey/white 2008[gr/wh], red/white 2008[r/wh] Technical Specifications: Luxury version[LUX]
17	883255	LH front protect black	1	year: 2009[9] Color: Black Eagle 2009[b.eagle]
17	GU03472960	LH front protect black	1	year: 2007[7], 2008[8] Color: Black 2007-2008[black] Technical Specifications: Basic version[BASE]
18	GU98370619	Hex socket screw M6x18	4	
19	GU03462801	Washer	4	
20	GU91180600	Spacer 6,25x8x5	4	
21	GU91551081	Rubber spacer 8x15	4	
22	GU00823931055	Gasket	1	
23	GU03104370	Tank cap ring and spring kit	1	Country: Australia[AUS], Other country[EU], Japan[J], Great Britain[UK]
24	GU00823944050	Pipe 5X9	1	

Assembly	FRAME
Code	33.14
Description	Saddle-Central bod
Revision	1



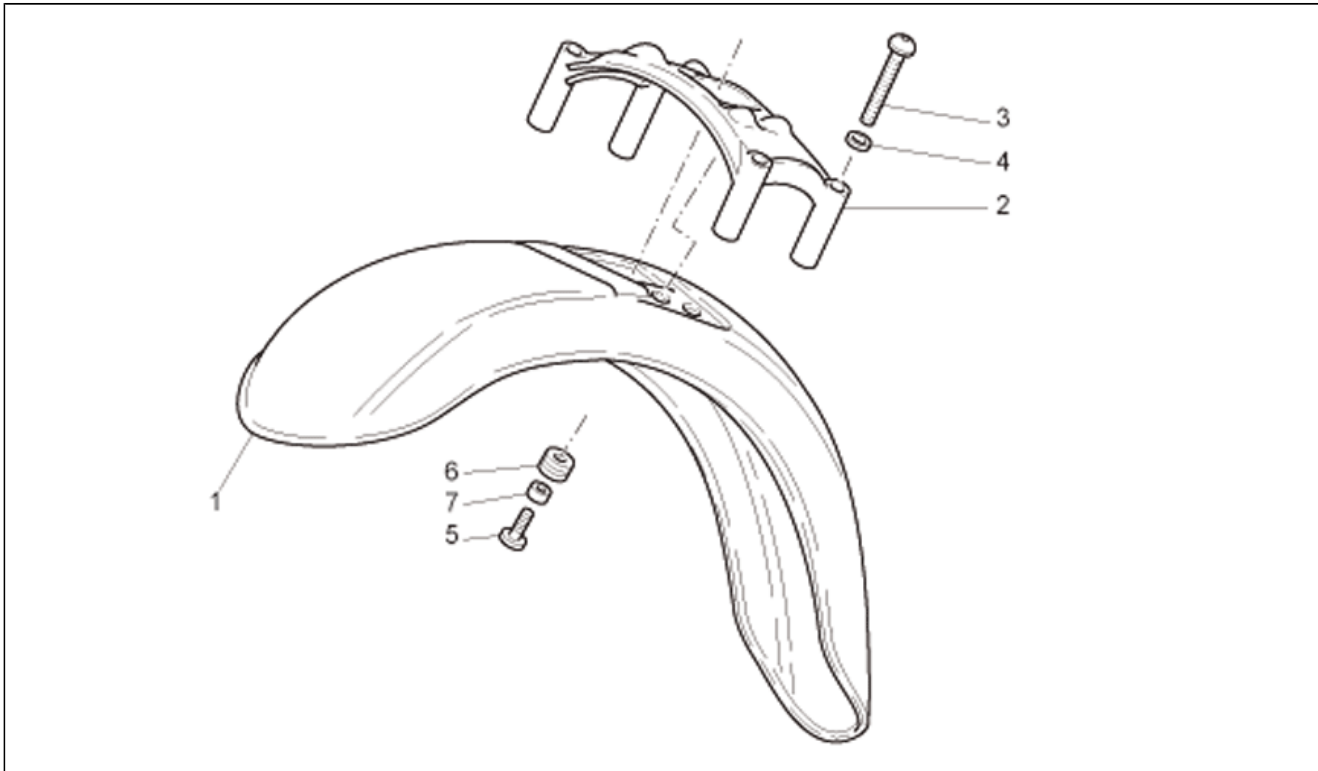
Pos.	Code	Description	Q.ty	Variants
1	978295	Saddle	1	year: 2007[7], 2008[8] Color: Black 2007-2008[black] Technical Specifications:Basic version[BASE]
1	983036	Saddle	1	year: 2008[8] Color: Grey/white 2008[gr/wh], red/white 2008[r/wh] Technical Specifications:Luxury version[LUX]
1	983036	Saddle	1	year: 2009[9] Color:Black Eagle 2009[b.eagle]
2	978337	RH side panel, blank	1	
2	97833700EE	RH side panel, grey	1	year: 2008[8] Color: Grey/white 2008[gr/wh] Technical Specifications:Luxury version[LUX]
2	97833700YR1	RH side panel, red	1	year: 2008[8] Color: red/white 2008[r/wh] Technical Specifications:Luxury version[LUX]
2	978337NG	RH side panel, black	1	year: 2007[7], 2008[8] Color: Black 2007-2008[black] Technical Specifications:Basic version[BASE]
2	978337NG	RH side panel, black	1	year: 2009[9] Color:Black Eagle 2009[b.eagle]
3	978338	LH side panel, blank	1	
3	97833800EE	LH side panel, grey	1	year: 2008[8] Color: Grey/white 2008[gr/wh] Technical Specifications:Luxury version[LUX]
3	97833800YR1	LH side panel, red	1	year: 2008[8] Color: red/white 2008[r/wh] Technical Specifications:Luxury version[LUX]
3	978338NG	LH side panel, black	1	year: 2007[7], 2008[8] Color: Black 2007-2008[black] Technical Specifications:Basic version[BASE]
3	978338NG	LH side panel, black	1	year: 2009[9] Color:Black Eagle 2009[b.eagle]
4	AP8152339	Screw w/ flange M5x9	4	

Assembly	FRAME
Code	33.14
Description	Saddle-Central bod
Revision	1



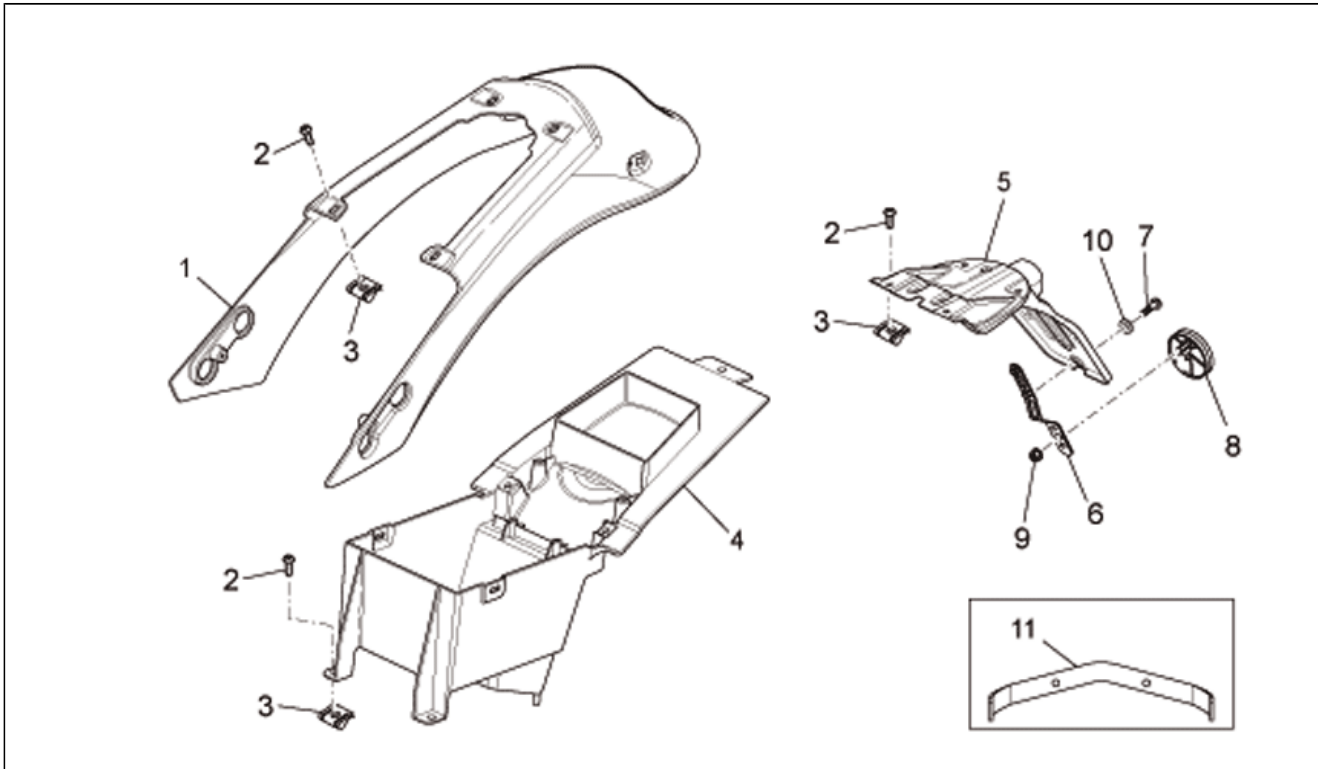
Pos.	Code	Description	Q.ty	Variants
5	AP8102375	Clip M5	6	
6	978250	RH plate	1	
7	978251	LH plate	1	
8	GU98230512	Hex socket screw M5X12	2	
9	AP8152299	Self-locking nut M6*	2	
10	GU98370520	Hex socket screw M5x20	2	
11	GU93232005	Rubber spacer	2	
12	GU00823931070	Gasket	1	
13	AP8120405	Rubber spacer *	2	
14	977527	Saddle lock	1	
15	AP8114487	Saddle fastener	1	
16	AP8102913	Pass.saddle connecting plate	1	
17	GU98370625	Hex socket screw M6X25	2	

Assembly	FRAME
Code	33.15
Description	Front mudguard
Revision	1



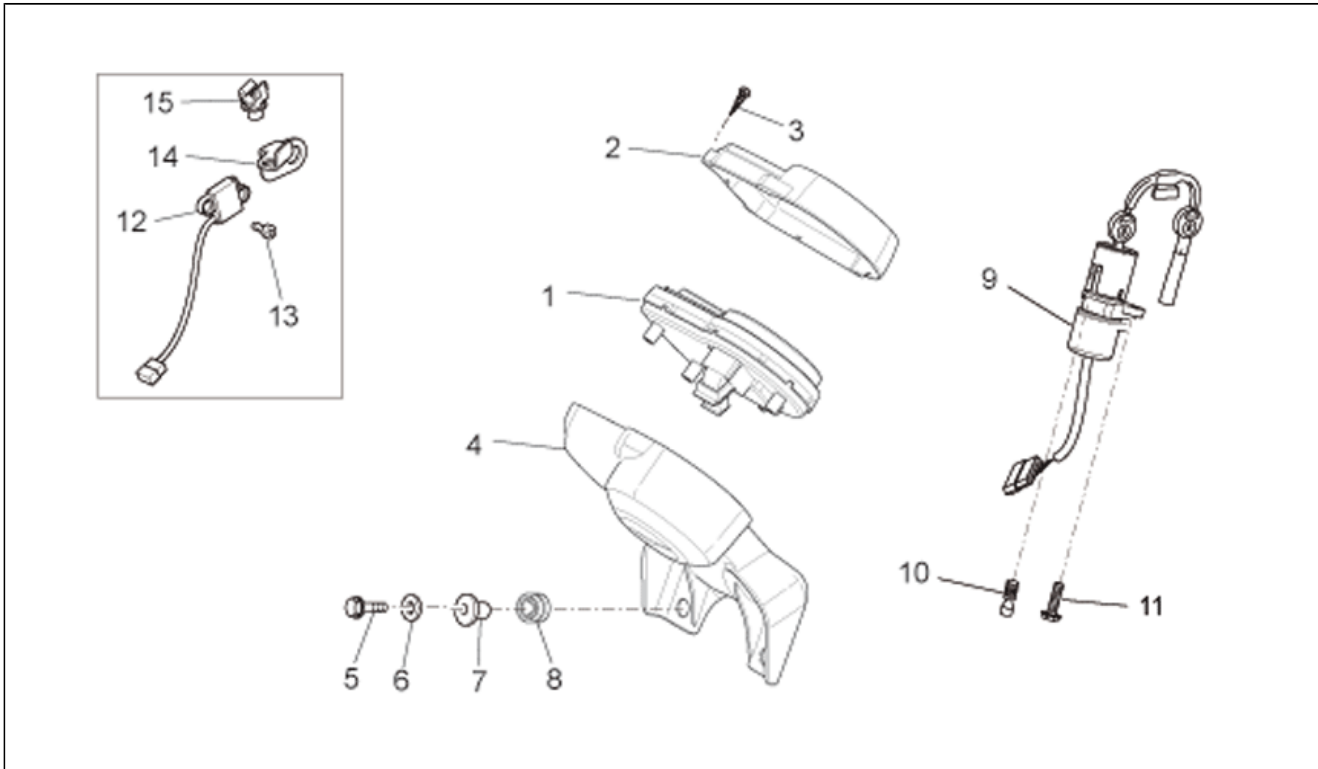
Pos.	Code	Description	Q.ty	Variants
1	88615500NG	Front mudguard, black	1	year: 2009[9] Color:Black Eagle 2009[b.eagle]
1	GU0343436500EE	Front mudguard, grey	1	year: 2008[8] Color: Grey/white 2008[gr/wh] Technical Specifications:Luxury version[LUX]
1	GU0343436500YR1	Front mudguard, red	1	year: 2008[8] Color: red/white 2008[r/wh] Technical Specifications:Luxury version[LUX]
1	GU03434365NG	Front mudguard, black	1	year: 2007[7], 2008[8] Color: Black 2007-2008[black] Technical Specifications:Basic version[BASE]
2	978309	Stabilization plate	1	
3	GU98370835	Screw	4	
4	GU95005308	Washer 8,4x14,57x1,6	4	
5	GU98370622	Hex socket screw M6X22	4	
6	GU91551010	Rubber spacer	4	
7	GU91180709	Spacer	4	

Assembly	FRAME
Code	33.16
Description	Rear body - Rear fairing
Revision	1



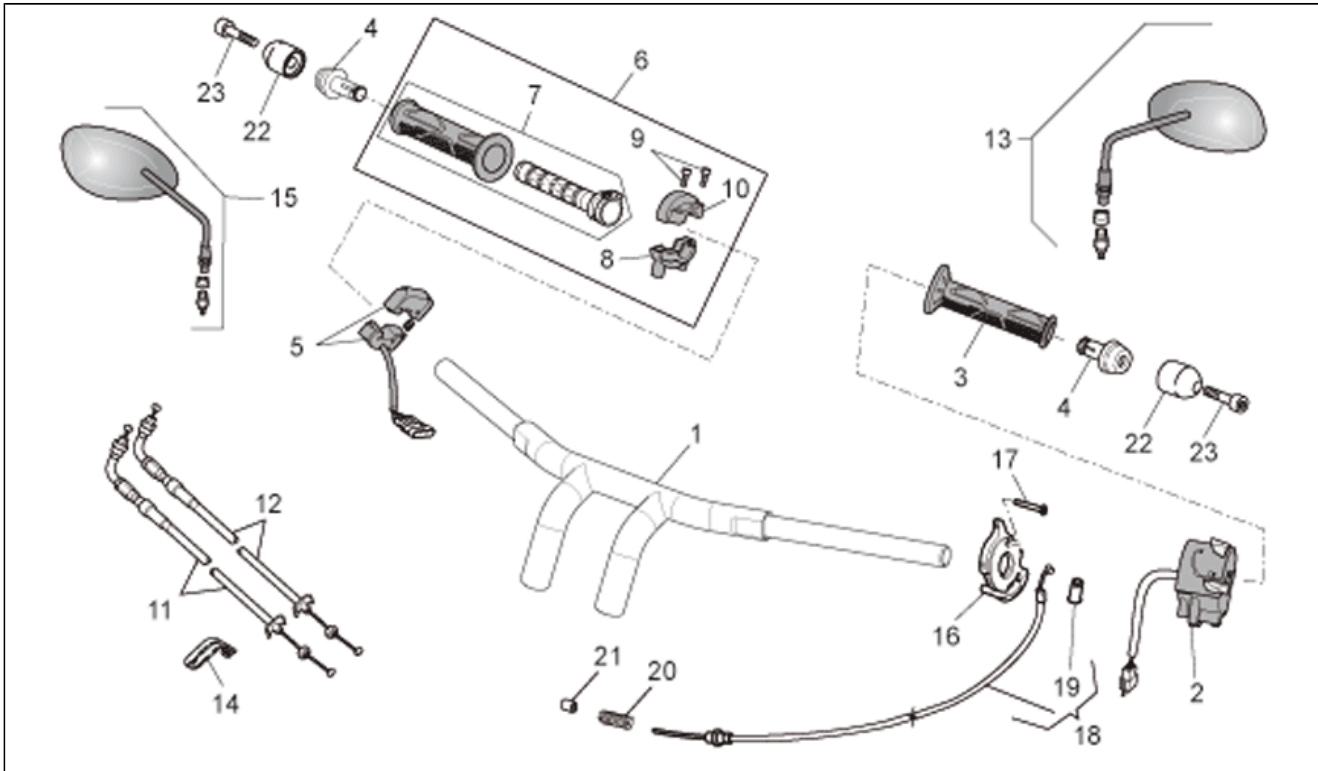
Pos.	Code	Description	Q.ty	Variants
1	978340	Rear tail blank	1	
1	97834000EE	Rear fairing, grey/white	1	year: 2008[8] Color: Grey/white 2008[gr/wh] Technical Specifications:Luxury version[LUX]
1	97834000YR1	Rear tail red/white	1	year: 2008[8] Color: red/white 2008[r/wh] Technical Specifications:Luxury version[LUX]
1	978340NG	Rear tail black	1	year: 2007[7], 2008[8] Color: Black 2007-2008[black] Technical Specifications:Basic version[BASE]
1	978340NG	Rear tail black	1	year: 2009[9] Color:Black Eagle 2009[b.eagle]
2	AP8152339	Screw w/ flange M5x9	12	
3	AP8102375	Clip M5	8	
4	978336	Splash guard	1	
5	978335	Number plate holder	1	
6	AP8134448	Reflector support	1	
7	AP8152267	Hex socket screw M5x12*	2	
8	AP8224164	Rear reflector, red	1	
9	AP8152306	Self-locking nut M5*	1	
10	AP8150248	Washer 5,5x15x1,6	2	
11	978580	Reinforcement Plate	1	

Assembly	FRAME
Code	33.17
Description	Dashboard
Revision	1



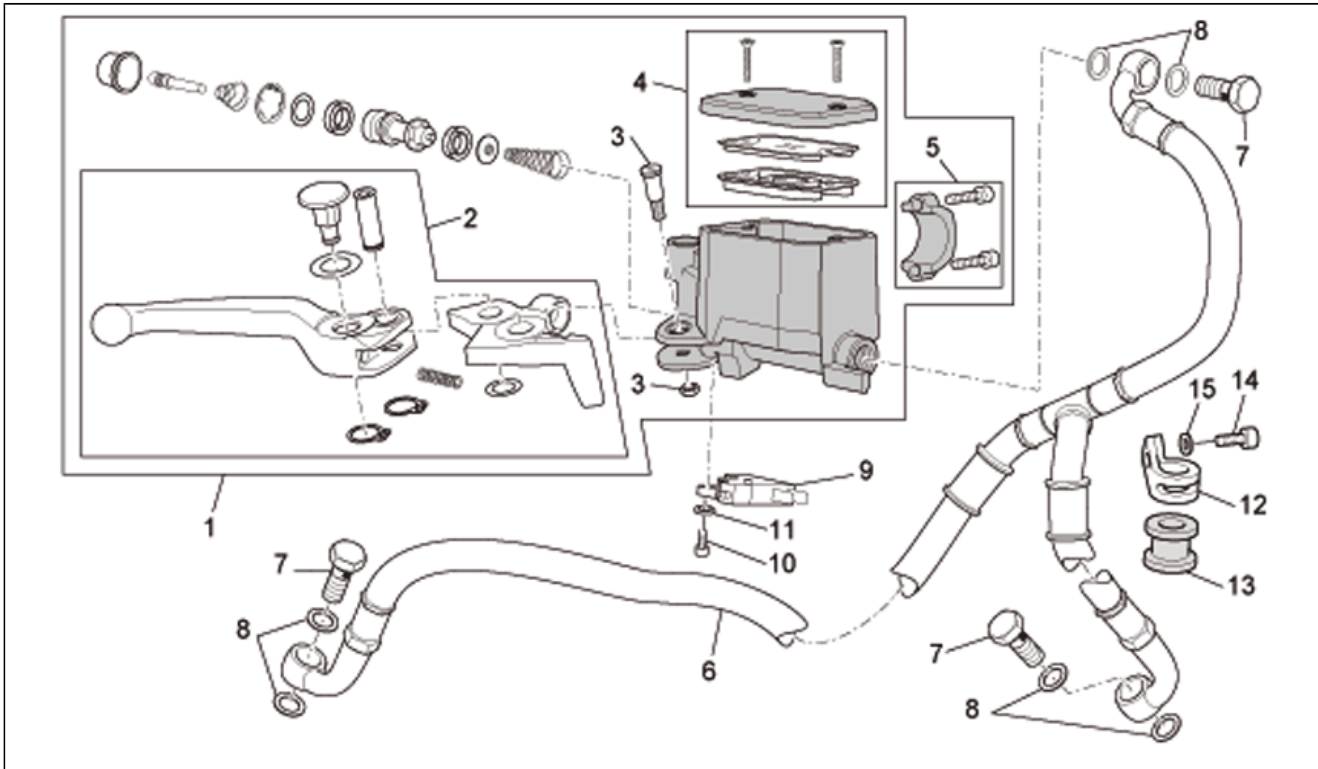
Pos.	Code	Description	Q.ty	Variants
1	978324	Dashboard complete	1	
2	978376	Instrum.frame, chrom.	1	
3	AP8221242	Spec. self-tap screw 3,5x20	4	
4	978377	Socket support	1	
5	AP8152279	Screw w/ flange M6x20	4	
6	GU14217901	Washer 6,4x10x0,7	8	
7	AP8221023	T bush *	4	
8	AP8120030	Rubber spacer *	2	
9	977528	Main switch - steering lock	1	
10	GU97260415	Special screw M8x15	1	
11	GU98682416	Hex socket screw M8X16	1	
12	GU06765400	Speedometer sensor cpl.	1	
13	AP8152043	Hex socket screw M4x10	2	
14	GU06765500	Fairlead	1	
15	AP8121882	Cable-guide	1	

Assembly	FRAME
Code	33.18
Description	Handlebar - Controls
Revision	1



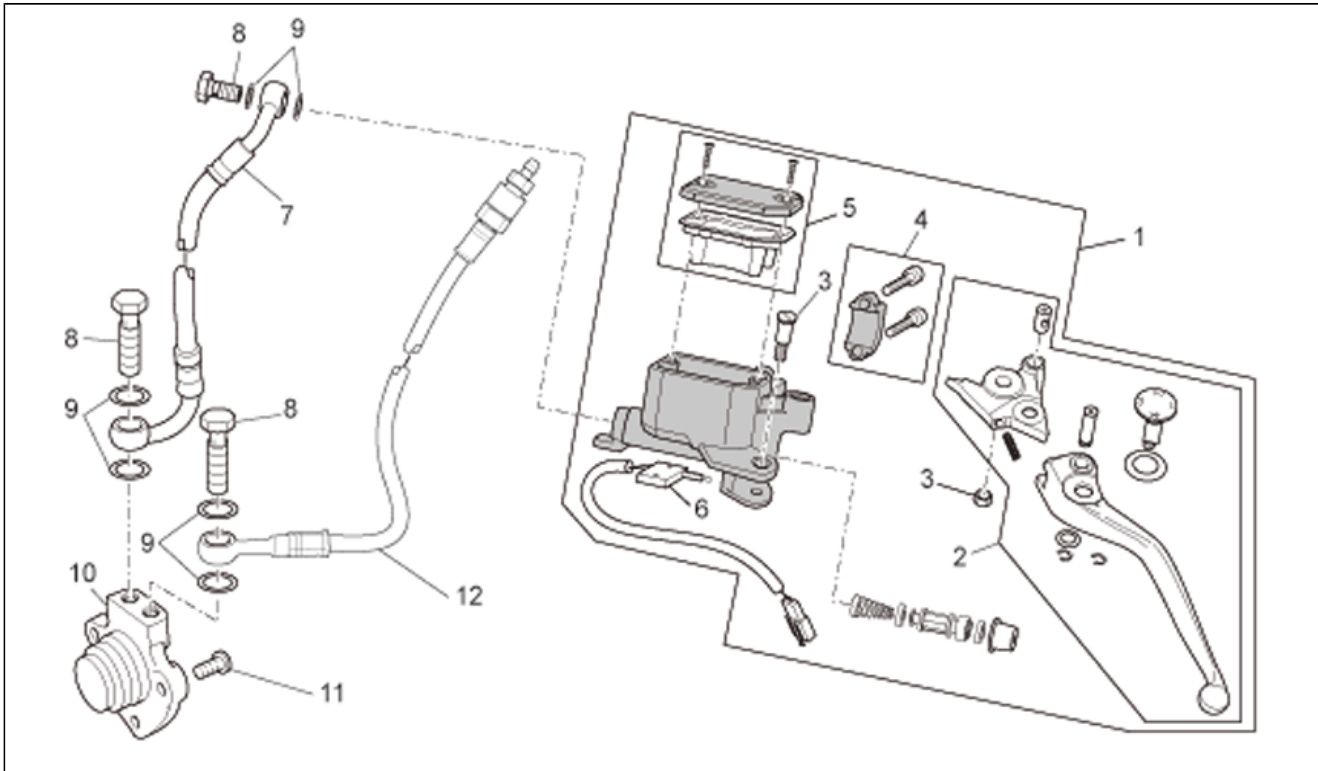
Pos.	Code	Description	Q.ty	Variants
1	978310	Handlebar	1	
2	AP8127703	LH lights selector	1	
3	AP8118579	LH hand grip	1	
4	GU03602760	Balancing	2	Technical Specifications:1st Serie[1A]
5	851998	Engine stop-start device	1	
6	GU05603331	Throttle cpl.	1	
7	GU01603480	RH hand grip	1	
8	AP8118502	Front gas lever U-bolt	1	
9	AP8118492	Cap screw	2	
10	AP8118503	Rear gas lever U-bolt	1	
11	978381	Gas trasmission delivery	1	
12	978382	Gas trasmission return	1	
13	883802	RH/LH rearview mirror	1	Color:marked "FU E11 81R-001047"[B]
13	GU32769860	LH rearview mirror	1	Color:marked "FAR"[A]
14	GU01609630	Hose clamp L46 mm	1	
14	GU03609600	Hose clamp L36 mm	4	
15	883802	RH/LH rearview mirror	1	Color:marked "FU E11 81R-001047"[B]
15	GU32769460	RH rearview mirror	1	Color:marked "FAR"[A]
16	GU01132330	Choke control	1	
17	GU98257320	Screw	2	
18	GU01132830	Choke cable	1	
19	GU29132750	Rubber spacer	1	
20	GU94321070	Spring	1	
21	GU39094200	Plug	1	
22	GU32602860	Anti.v weight, chr.	2	Technical Specifications:2nd Serie[2A]
23	GU98690335	Hex socket screw M6X35	2	Technical Specifications:2nd Serie[2A]

Assembly	FRAME
Code	33.19
Description	Front master cilinder
Revision	1



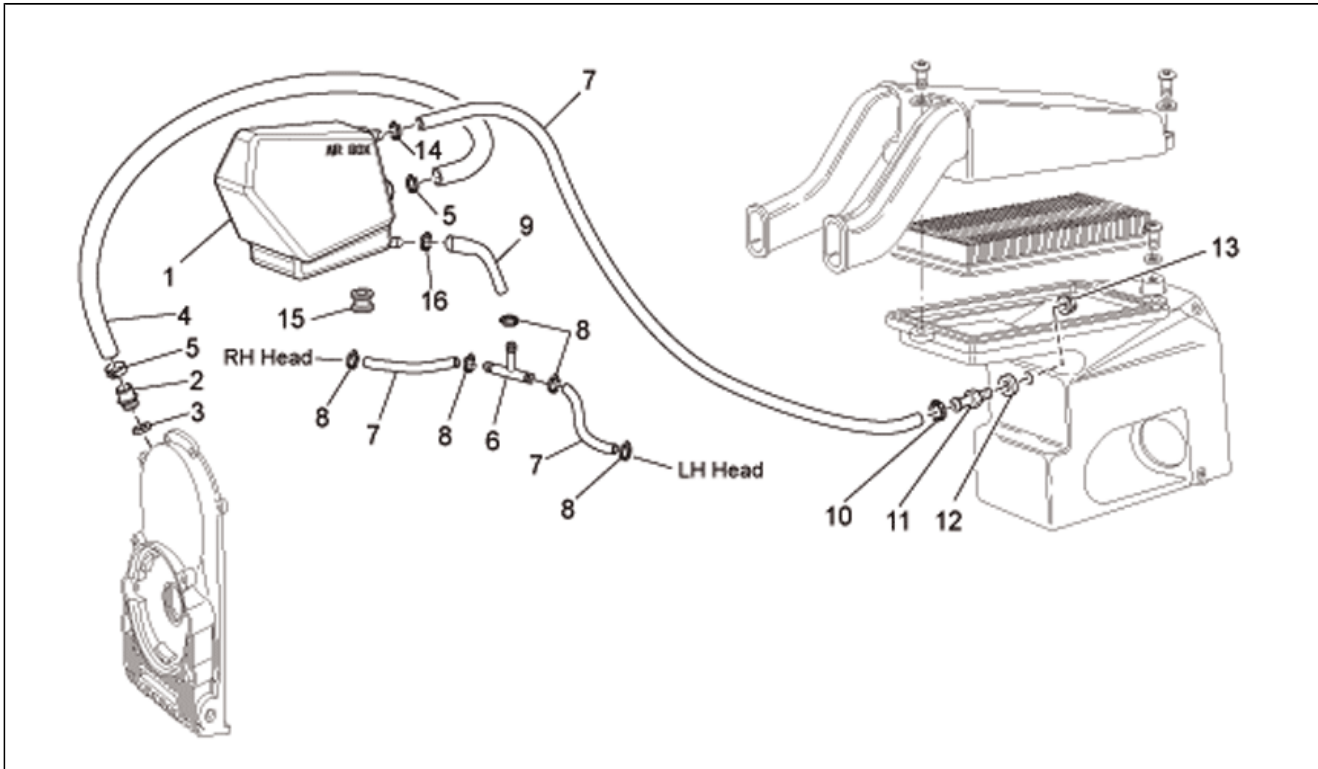
Pos.	Code	Description	Q.ty	Variants
1	978606	Front master cilinder	1	
2	981050	Front brake lever	1	
3	AP8113995	Lever pin	1	
4	GU05661130	Tank cap	1	
5	AP8113993	U-bolt	1	
6	978362	Front brake hose	1	
7	AP8133962	Oil pipe screw *	3	
8	AP8121915	Gasket	6	
9	GU03749845	Brake light switch	1	
10	GU98370412	Hex socket screw M4x12	1	
11	GU95021104	Washer 4,3x8x1,5	1	
12	GU03658430	Hose clamp	2	
13	GU03658201	Ring	2	
14	GU98370619	Hex socket screw M6x18	2	
15	GU95005307	Washer 6,4x11x0,8	2	

Assembly	FRAME
Code	33.20
Description	Clutch control complete
Revision	1



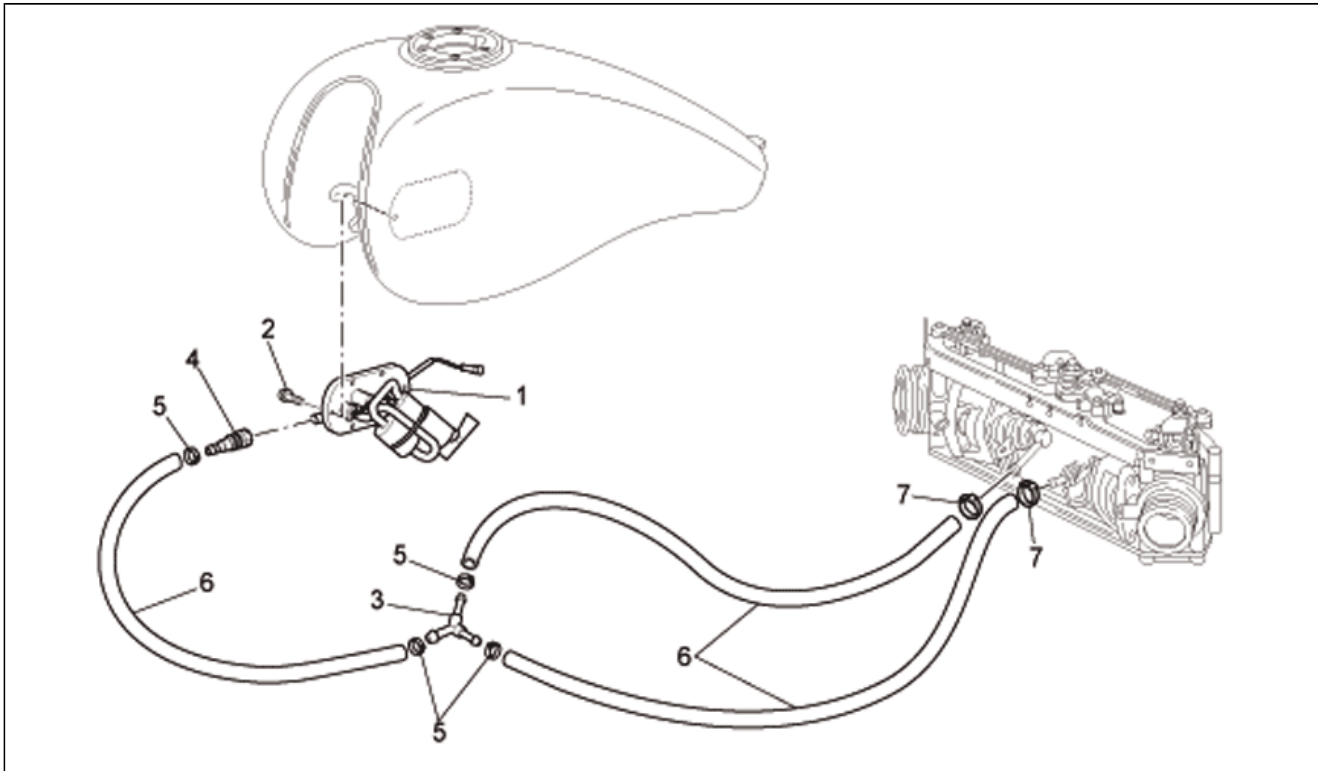
Pos.	Code	Description	Q.ty	Variants
1	978607	Clutch pump	1	
2	981046	LEVA FRIZIONE 110.9500.07	1	
3	GU03604845	Lever pin	1	
4	AP8113993	U-bolt	1	
5	AP8113997	Tank cap	1	
6	AP8113998	Microswitch	1	
7	GU05606530	Clutch pipe	1	
8	AP8133594	Oil pipe screw	3	
9	AP8121915	Gasket	6	
10	GU05086330	Clutch command cylinder	1	
11	AP8152278	Screw w/ flange M6x16*	3	
12	GU05606630	Float chambe clutch pipe	1	

Assembly	FRAME
Code	33.21
Description	Blow-by system
Revision	1



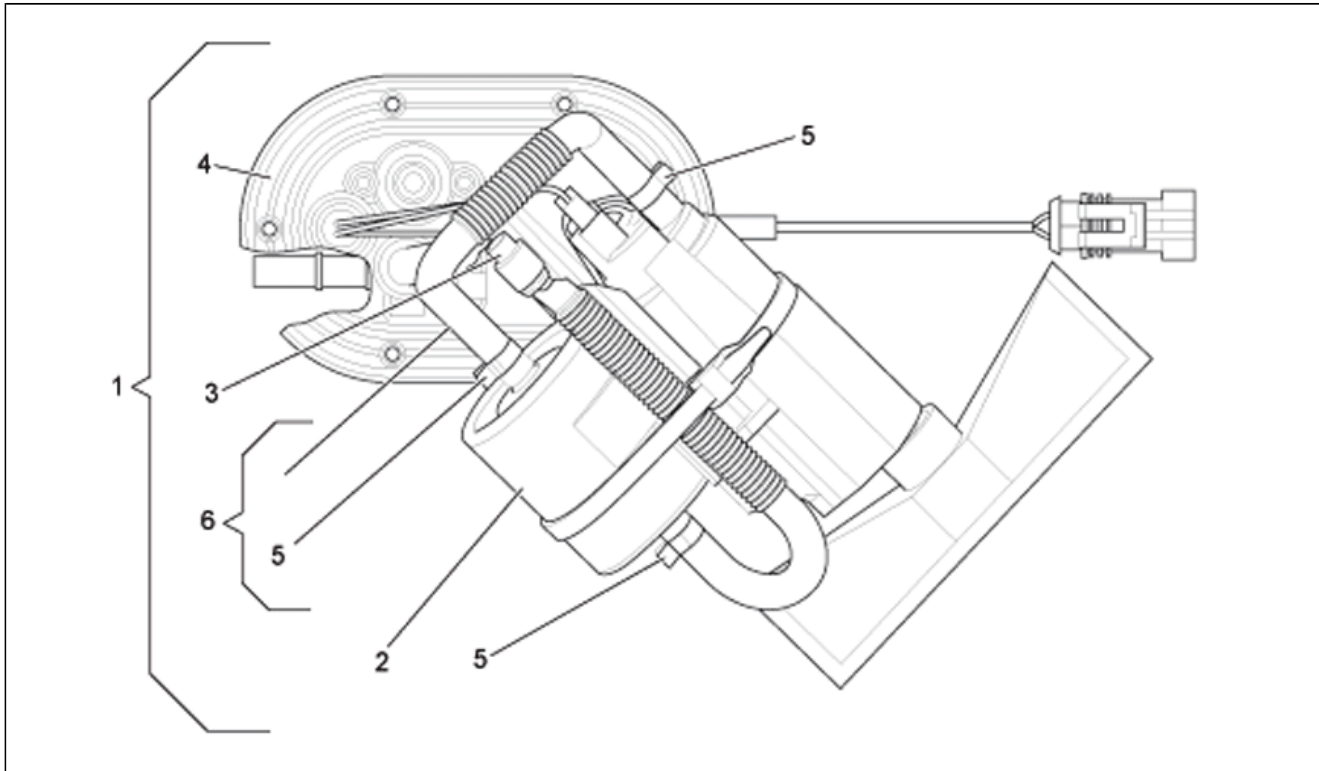
Pos.	Code	Description	Q.ty	Variants
1	978320	Housing	1	
2	GU03007260	Union	1	
3	GU18144350	Washer 18,25x24x1	3	
4	978461	Breather pipe	1	
5	GU93306018	Hose clamp 17X29X8	2	
6	GU95960609	3-way union	1	
7	GU00823956080	Rubber pipe 12,5X7,8 5/16"	3	
8	AP8201358	Hose clamp D 11,9	5	
9	978588	Breather pipe	1	
10	GU14609650	Hose clamp 3,6x20,6	1	
11	GU29116960	Union	1	
12	GU90714082	Gasket	1	
13	GU92660208	Nut	1	
14	GU93306017	Hose clamp	1	
15	GU91551010	Rubber spacer	1	
16	AP8101586	Hose clip D.15,5x6,6	1	

Assembly	FRAME
Code	33.22
Description	Fuel supply
Revision	1



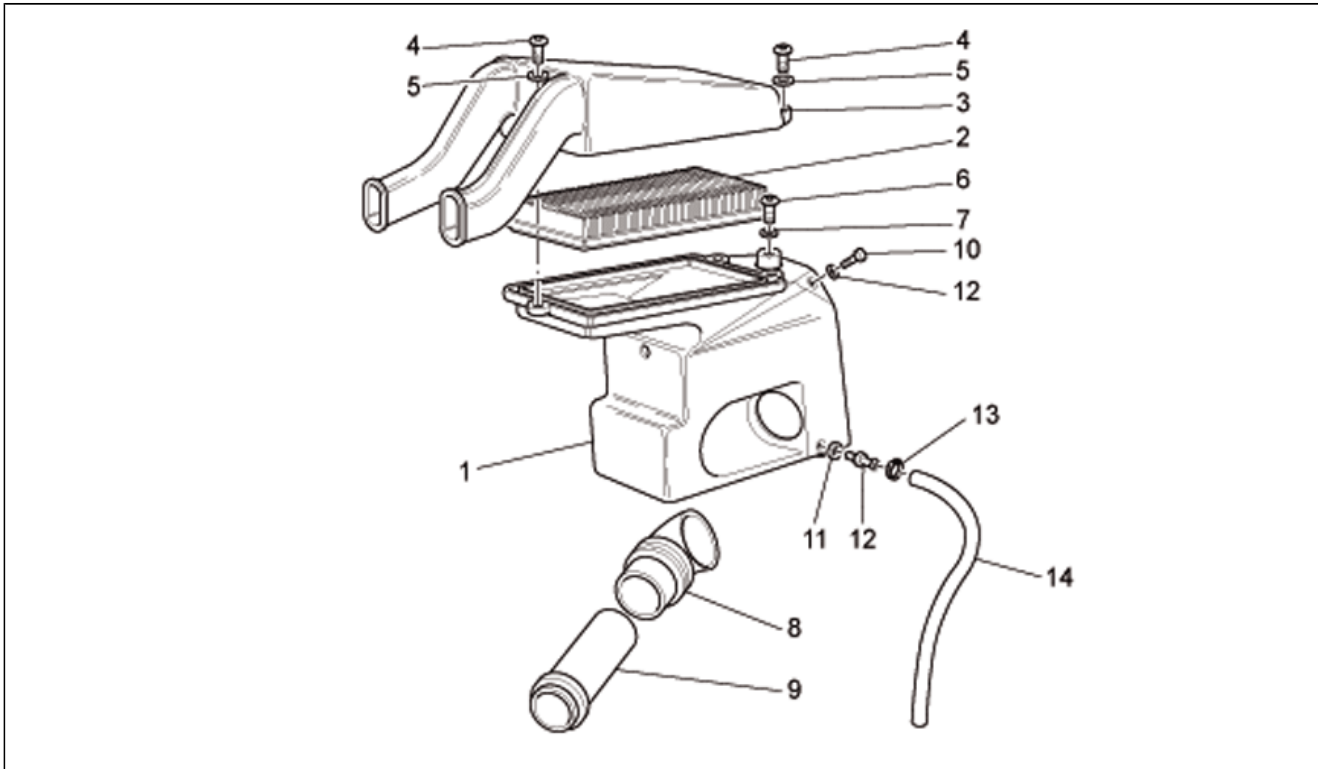
Pos.	Code	Description	Q.ty	Variants
1	GU03107270	Fuel pump cpl.	1	
2	AP8152273	Screw w/ flange M5x16	6	
3	GU29106860	3-way union	1	
4	GU01106692	Union	1	
5	GU28157950	Hose clip 12,5x8	4	
6	GU00823952080	Fuel pipe SAEJ30R9	1	
7	GU93306017	Hose clamp	2	

Assembly	FRAME
Code	33.23
Description	Internal fuel pump
Revision	1



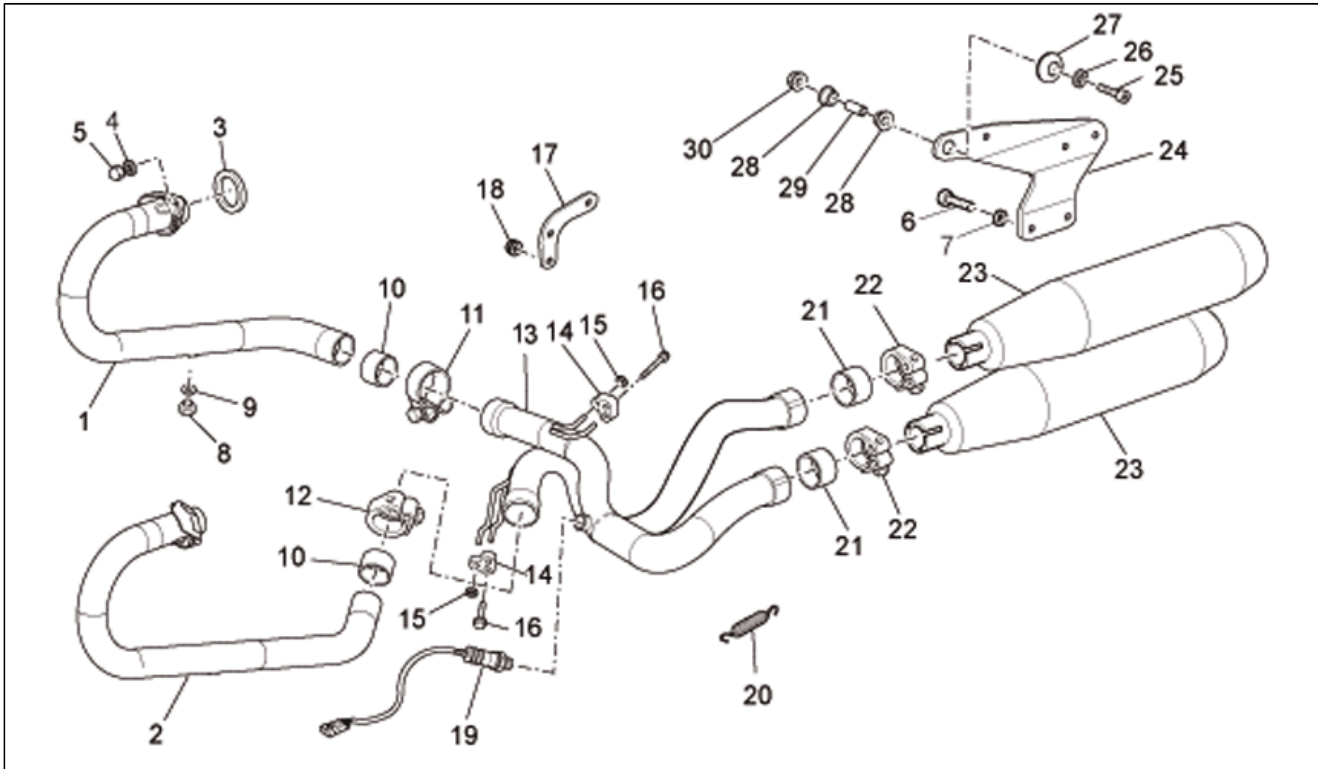
Pos.	Code	Description	Q.ty	Variants
1	GU03107270	Fuel pump cpl.	1	
2	GU01106090	Fuel filter	1	
3	GU03103070	Thermistor	1	
4	GU01107490	Gasket	1	
5	GU01108490	Hose clamp 11,3	4	
6	GU03106170	Fuel pipe	1	

Assembly	FRAME
Code	33.24
Description	Air box
Revision	1



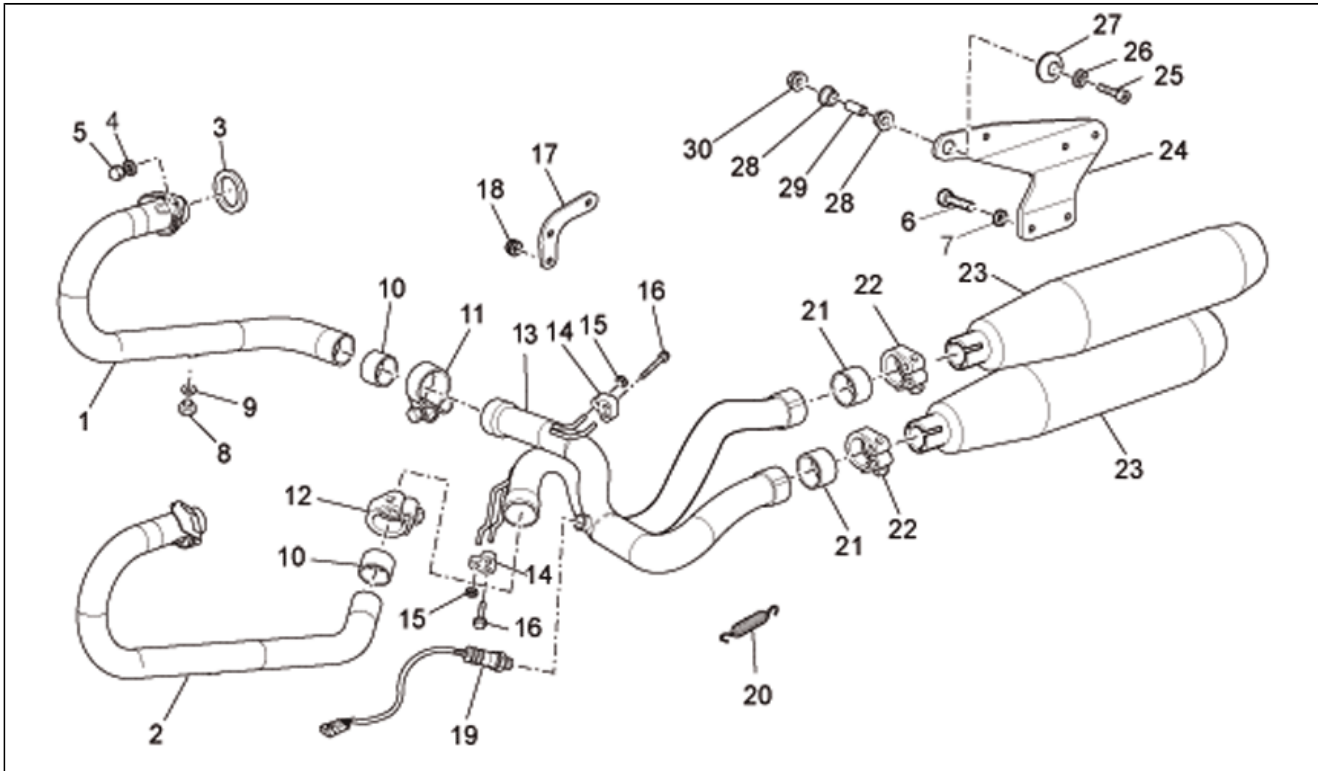
Pos.	Code	Description	Q.ty	Variants
1	978312	Air box	1	
2	GU30113600	Air filter	1	
3	GU30113460	Filter cover	1	
4	GU98680230	Hex socket screw M5X30	3	
5	GU95100059	Washer 5,25x14x1,5	3	
6	GU98350312	Hex socket screw M6x12	1	
7	GU03013800	Washer 6,4x12	2	
8	GU30114660	Union	2	
9	GU30114560	Hand cone-type	2	
10	GU98350210	Hex socket screw M5X10	1	
11	GU90714053	Gasket	2	
12	GU29115860	Union	1	
13	GU28157950	Hose clip 12,5x8	1	
14	GU00823944050	Pipe 5X9	1	

Assembly	FRAME
Code	33.25
Description	Exhaust unit
Revision	1



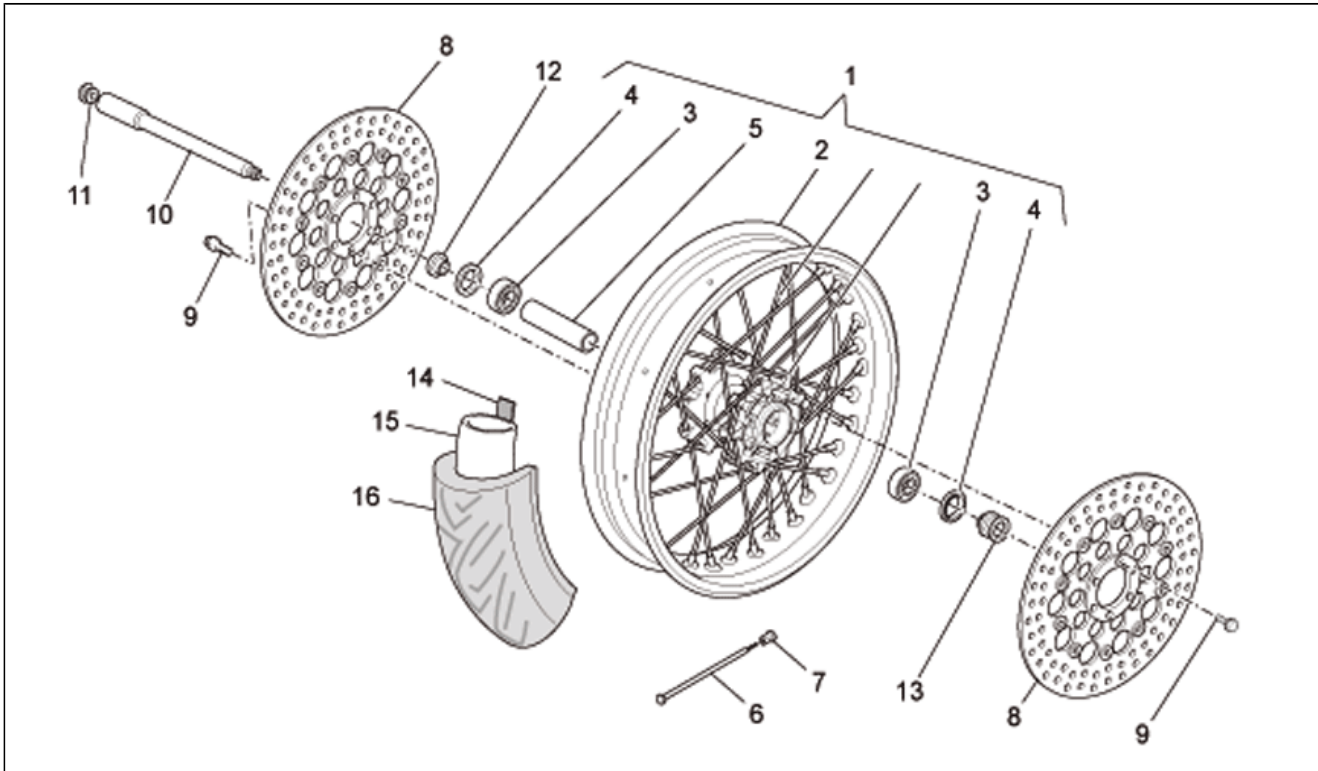
Pos.	Code	Description	Q.ty	Variants
1	977662	RH exhaust pipe	1	
2	977663	LH exhaust pipe	1	
3	GU90718370	Gasket	2	
4	GU14615901	Washer 8,4X13X0,8	4	
5	GU92660021	Flanged nut M8	4	
6	GU98084425	Hex screw M8x25	4	
7	GU03270300	Washer 8,4x15	4	
8	GU98110007	Plug	2	
9	GU30109330	Gasket	2	
10	GU05121630	Gasket	2	
11	976522	RH hose clamp	1	
12	976523	LH hose clamp	1	
13	978369	Central exhaust pipe	1	
14	GU05124230	Rubber spacer	2	
15	GU90274008	Washer for shafts D8	4	
16	GU05124330	Screw	2	
17	978540	RH plate	1	
18	AP8152301	Self-locking nut M10*	1	
19	GU32727010	Lambda sensor	1	
20	AP8121170	Spring	1	
21	GU05128230	Gasket	1	
22	976521	Hose clamp	1	
23	978370	Silencer	2	
24	978506	Silencer supp. plate	1	
25	GU98680445	Hex socket screw M8X45	1	
26	GU95005312	Washer 8,5x24x2	1	
27	AP8134378	Silencer fixing bush	1	
28	AP8144071	Rubber exhaust	2	

Assembly	FRAME
Code	33.25
Description	Exhaust unit
Revision	1



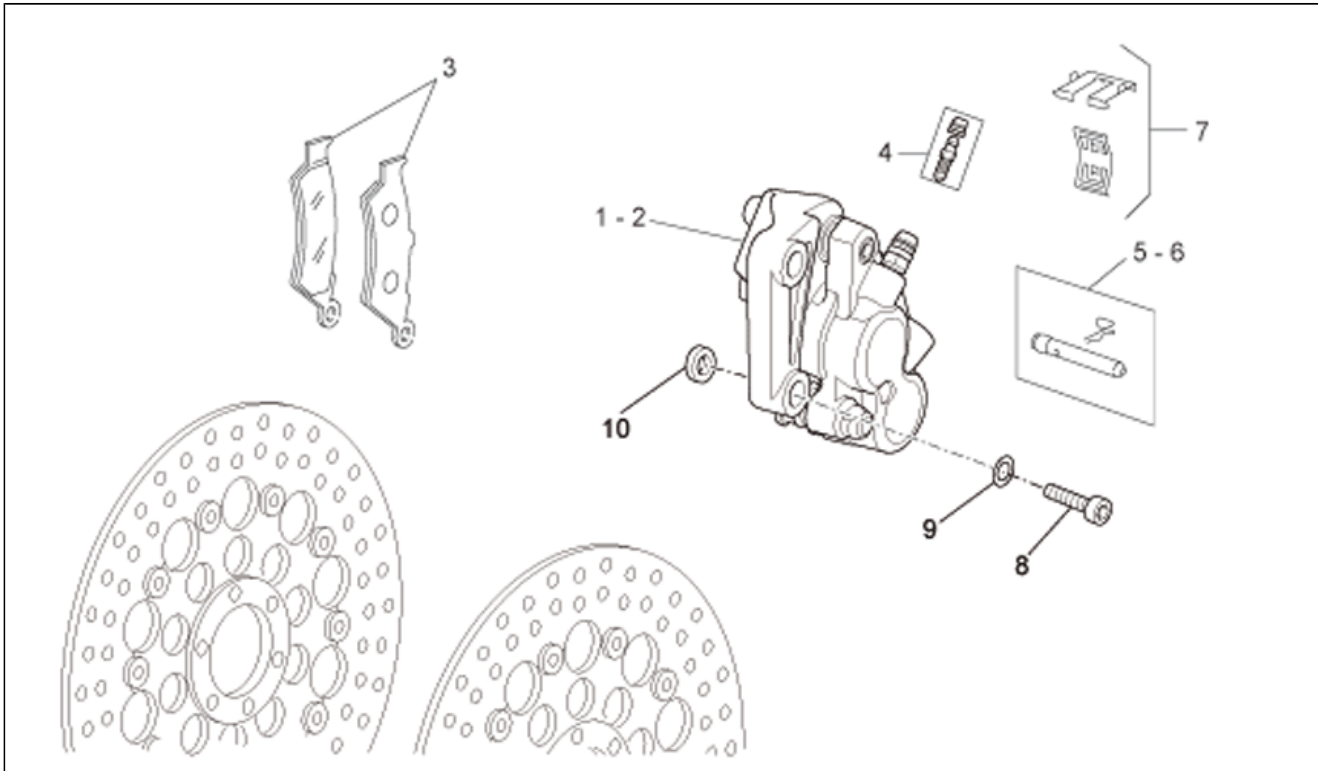
Pos.	Code	Description	Q.ty	Variants
29	AP8121072	Spacer	1	
30	GU92650138	Nut M8x1,25	1	

Assembly	FRAME
Code	33.26
Description	Front wheel
Revision	1



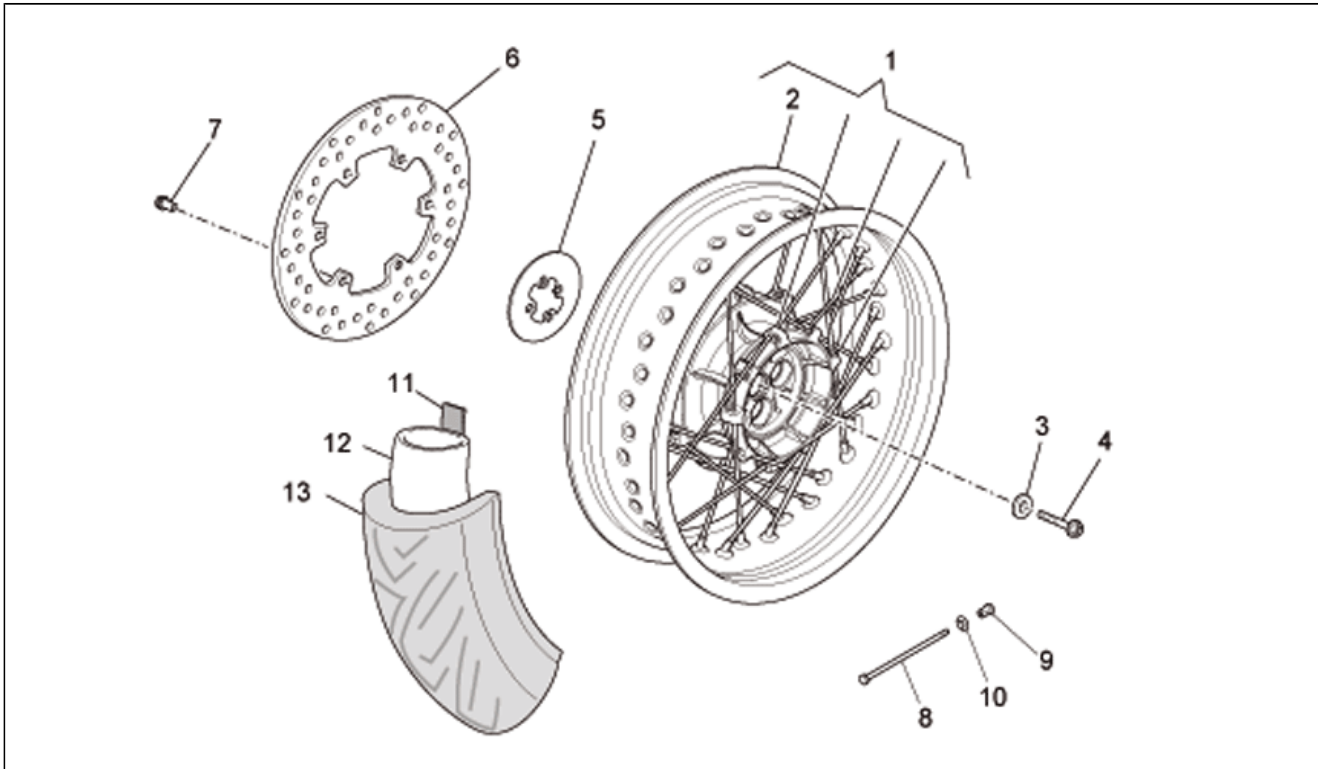
Pos.	Code	Description	Q.ty	Variants
1	978308	Front wheel 3,50x18"	1	
2	978305	Front wheel 3,50x18"	1	
3	AP8125777	Ball bearing 25x47x12	2	
4	GU90403549	Gasket ring 35x47x7	2	
5	978516	Spacer	1	
6	978306	Spoke	36	
7	978307	Nipples	36	
8	977024	Front brake disc	2	
9	AP8152286	Screw w/ flange M8x20	12	
10	GU03614101	Front wheel spindle	1	
11	GU93180111	Plug 15 mm	1	
12	978303	RH spacer	1	
13	978304	LH spacer	1	
14	0000000	Tyre 110/90"	1	
15	0000000	Tyre 110/90"	1	
16	0000000	Tyre 110/90"	1	

Assembly	FRAME
Code	33.27
Description	Front brake caliper
Revision	1



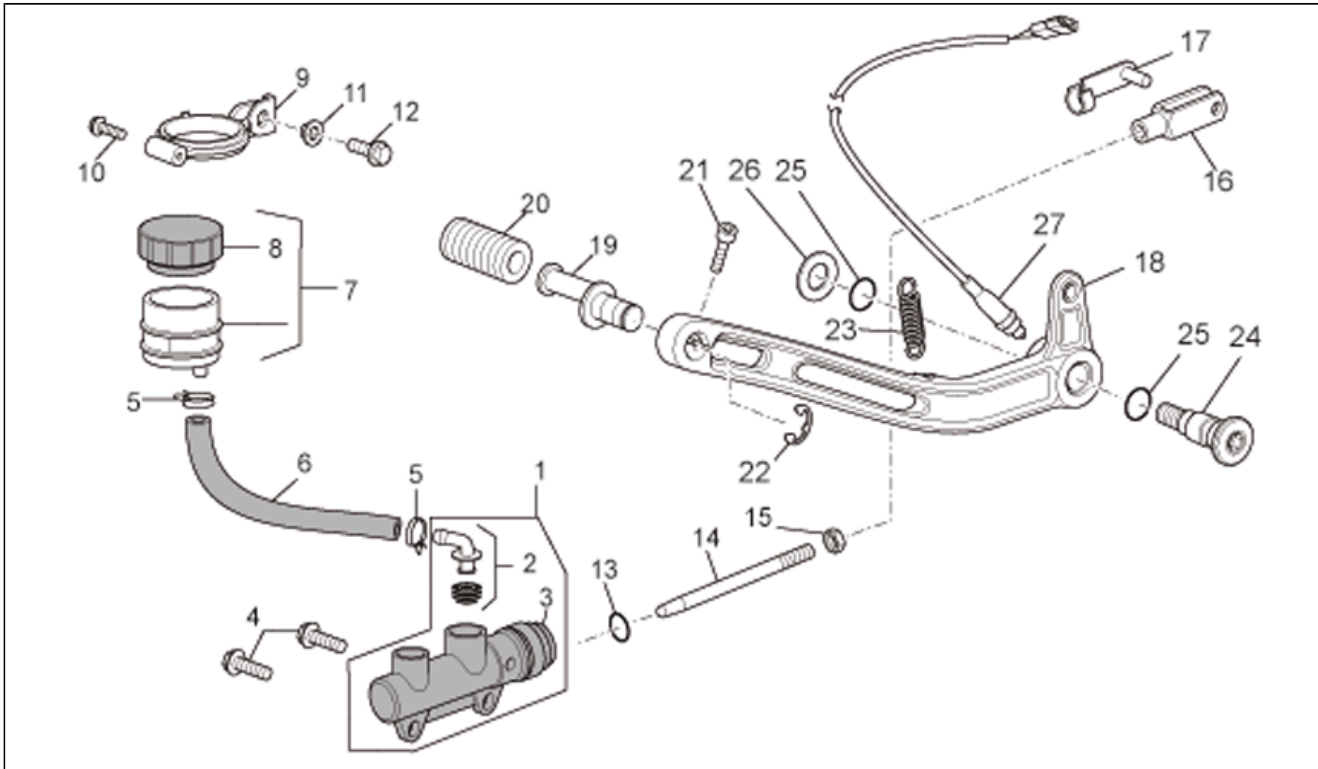
Pos.	Code	Description	Q.ty	Variants
1	978360	RH front brake caliper, black	1	
2	978361	LH front brake caliper, black	1	
3	AP8113627	Pads pair	2	
4	AP8133502	Air bleed valve	2	
5	981004	Pin+split pin DX	2	
6	981003	Pin+split pin SX	2	
7	AP8133908	Spring pinza	2	
8	GU98683530	Screw M10x30	4	
9	GU19149800	Washer 10,5x16x1	4	
10	GU91181003	Spacer 10,25X20X4	4	

Assembly	FRAME
Code	33.28
Description	Rear wheel
Revision	1



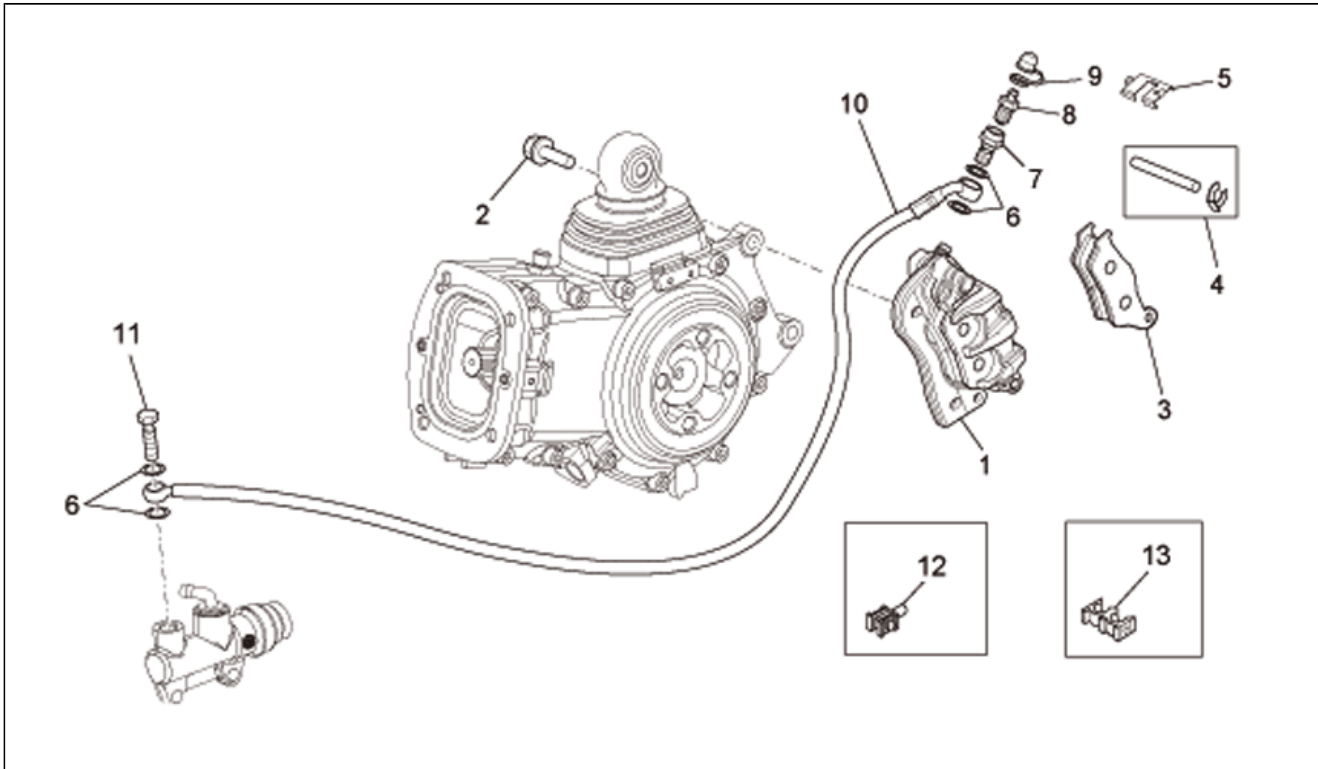
Pos.	Code	Description	Q.ty	Variants
1	978609	Rear wheel 5,5x17"	1	
2	978610	Rear wheel 5,5x17"	1	
3	GU05632730	Conical bush	4	
4	GU97202665	Screw w/ flange M12x65	4	
5	977056	Dust cover ring	1	
6	GU05635730	Rear brake disc	1	
7	GU30611460	Screw	6	
8	978611	Short spoke	36	
9	978356	Nipples	36	
10	978697	Special washer	36	
11	978683	Rear wheel flap	2	
12	0000000	Tyre 110/90"	1	
13	0000000	Tyre 110/90"	1	

Assembly	FRAME
Code	33.29
Description	Rear master cylinder
Revision	1



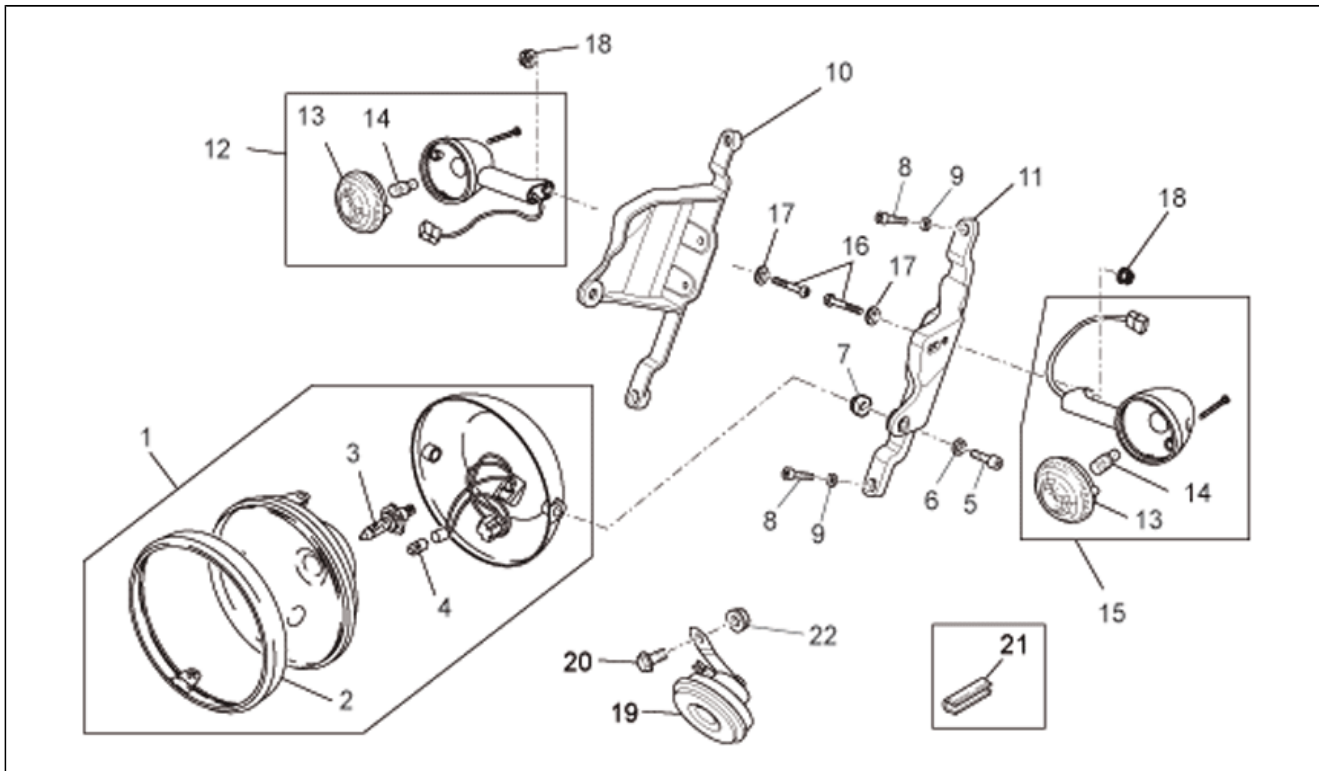
Pos.	Code	Description	Q.ty	Variants
1	978434	Rear master cylinder	1	
2	GU19659500	Pump connection overhaul unit	1	
3	AP8113288	Rubber bellows	1	
4	AP8152279	Screw w/ flange M6x20	2	
5	AP8101595	Hose clamp D10,1*	2	
6	978435	Rear brake hose	1	
7	GU05663530	Brake oil tank complete	1	
8	GU17661052	Tank cap	1	
9	GU05666030	Tank support	1	
10	AP8152329	Phillips screw, SWP M5X20	1	
11	AP8221145	T bush *	1	
12	AP8152278	Screw w/ flange M6x16*	1	
13	AP8120178	O-ring OR112	1	
14	977041	Master cylinder rod	1	
15	GU92606206	Nut M6*	1	
16	AP8113081	Fork	1	
17	AP8113082	Gear selector fork clips	1	
18	GU06677000	Rear brake lever	1	
19	AP8121221	Brake lever pin	1	
20	AP8120912	Lever rubber	1	
21	GU98682316	Hex socket screw M6x16	1	
22	AP8150462	Circlip d9	1	
23	AP8121927	Rear brake lever spring	1	
24	AP8121223	Rear brake lever pin	1	
25	AP8144007	O-ring 11,11x1,78	2	
26	GU95008310	Washer 10,5x22x2,5	1	
27	AP8112996	Brake light switch	1	

Assembly	FRAME
Code	33.30
Description	Rear brake caliper
Revision	1



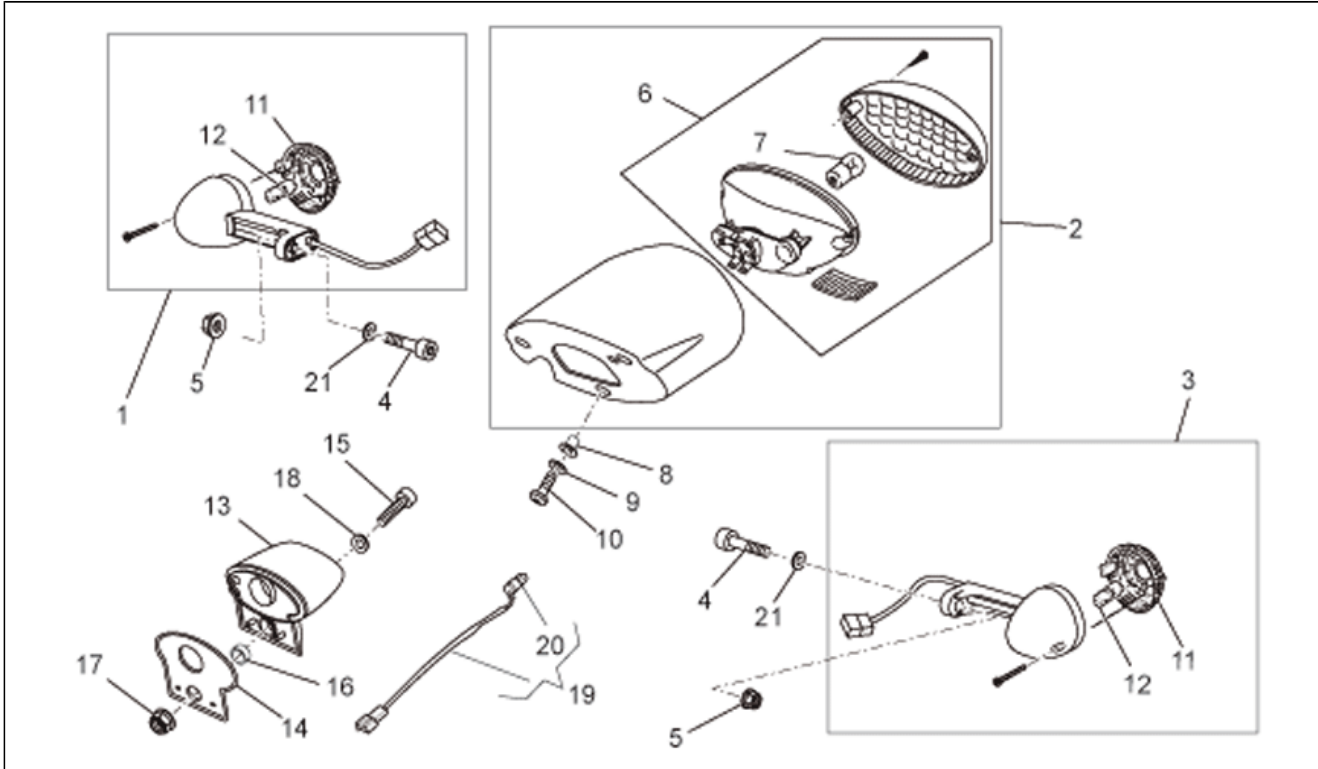
Pos.	Code	Description	Q.ty	Variants
1	978414	Rear brake caliper, black	1	
2	AP8152320	Screw w/ flange M10x30*	2	
3	GU05654630	Pads pair	1	
4	GU05659130	Pin+split pin	1	
5	GU05659030	Spring	1	
6	AP8121915	Gasket	4	
7	AP8133597	Screw	1	
8	AP8133595	Air bleed valve	1	
9	AP8133596	Bleed valve cap 20 pc.	1	
10	978364	Rear brake hose	1	
11	AP8133962	Oil pipe screw *	1	
12	AP8202238	Cable-guide hook	4	
13	AP8201808	Cable-guide D8	5	

Assembly	FRAME
Code	33.31
Description	Headlight/Horn
Revision	1



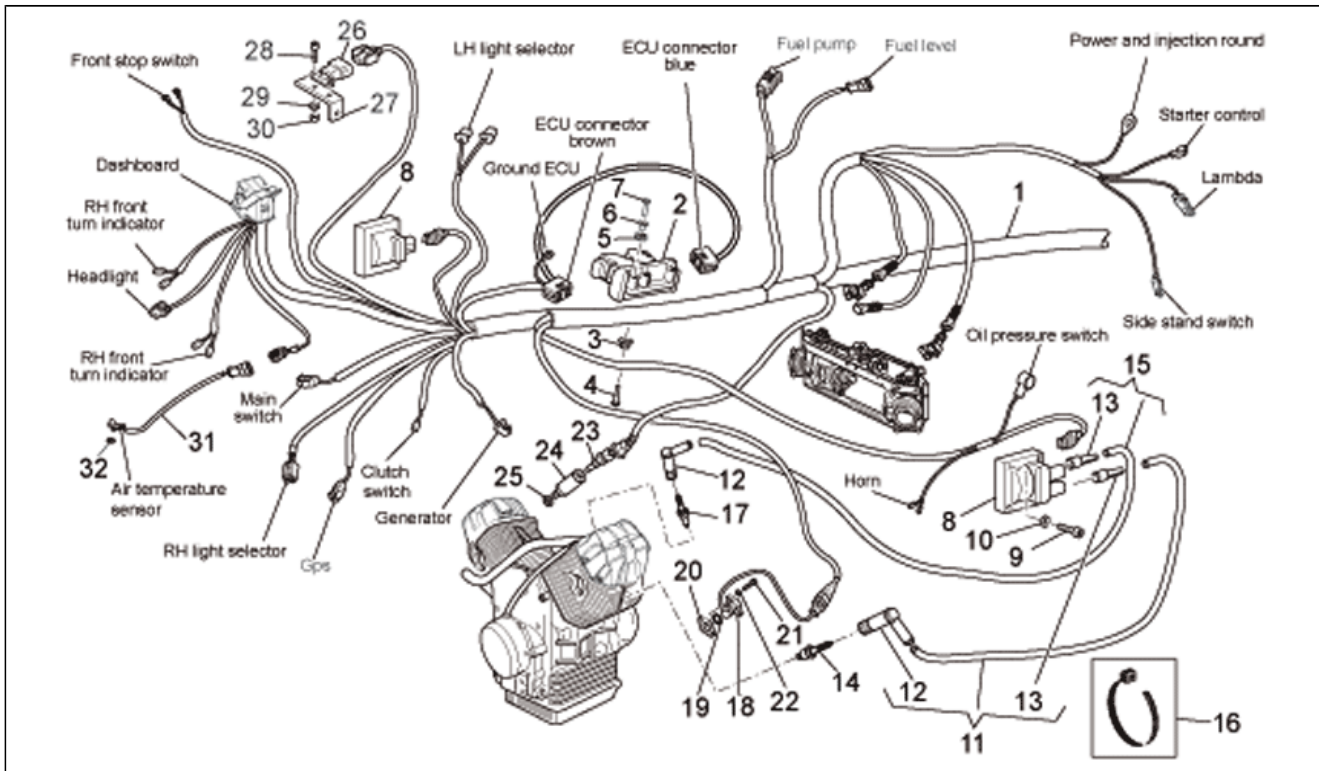
Pos.	Code	Description	Q.ty	Variants
1	978311	Headlight	1	Country:Other country[EU]
1	978662	Cpl headlightsteering headligh	1	Country:Australia[AUS], Japan[J], Great Britain[UK]
2	GU31740383	Chromed ring nut	1	
3	GU93450232	Lamp 12V-55/60W	1	
4	GU93450105	Lamp 12V-5W	1	
5	GU98370831	Hex socket screw M8x30	2	
6	GU95005308	Washer 8,4x14,57x1,6	2	
7	GU14439800	Spacer	2	
8	GU98682318	Hex socket screw M6x18	4	
9	GU14217901	Washer 6,4x10x0,7	4	
10	978373	RH headlight support	1	
11	978374	LH headlight support	1	
12	GU32750660	RH front/LH rear turn indic.	1	
13	GU32753760	Turn indicator lens	2	
14	GU93450127	Lamp 12V-10W	2	
15	GU06751600	LH front/RH rear turn indic.	1	
16	GU98692318	Hex socket screw M6x18	2	
17	GU95021206	Washer	2	
18	GU92787006	Cap nut M6x1	2	
19	GU01743791	Electric hom L	1	
20	AP8152279	Screw w/ flange M6x20	1	
21	AP8144707	Gasket	1	
22	AP8152299	Self-locking nut M6*	1	

Assembly	FRAME
Code	33.32
Description	Taillight
Revision	1



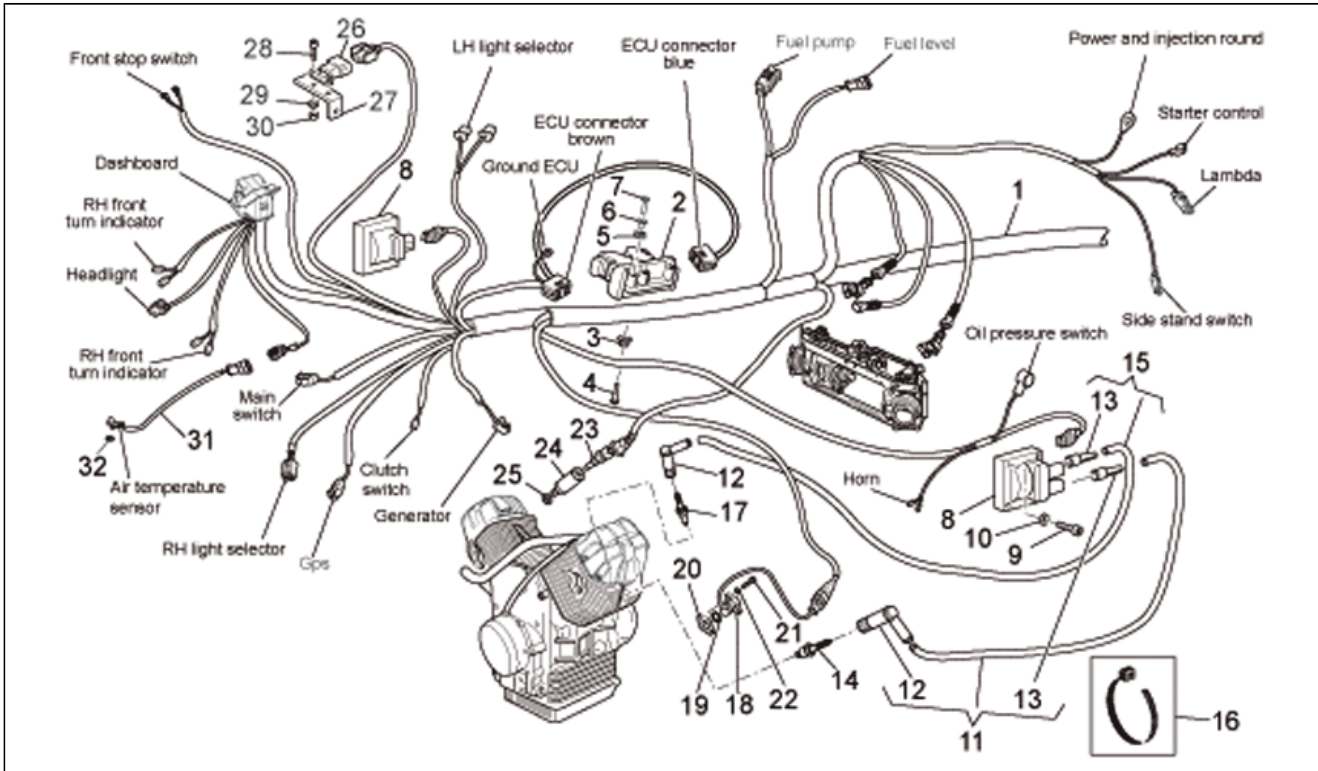
Pos.	Code	Description	Q.ty	Variants
1	GU06751600	LH front/RH rear turn indic.	1	Country:Australia[AUS], Other country[EU], Japan[J], Great Britain[UK]
2	GU32740960	Taillight	1	
3	GU32750660	RH front/LH rear turn indic.	1	Country:Australia[AUS], Other country[EU], Japan[J], Great Britain[UK]
4	GU98692318	Hex socket screw M6x18	2	
5	GU92787006	Cap nut M6x1	2	
6	GU03740930	Taillight	1	
7	GU93450224	Lamp 12V/5-21W	1	
8	GU93231605	Antivibration bush	3	
9	GU95100064	Washer	3	
10	GU98350218	Hex socket screw M5x18	3	
11	GU32753760	Turn indicator lens	2	Country:Australia[AUS], Other country[EU], Japan[J], Great Britain[UK]
12	GU93450126	Lamp, orange 12V-10W	2	Country:Australia[AUS], Other country[EU], Japan[J], Great Britain[UK]
13	AP8127098	Number-plate light	1	
14	GU32474710	Support rubber part	1	
15	GU98680222	Hex socket screw M5x22	1	
16	GU91120507	Bush	1	
17	AP8152306	Self-locking nut M5*	1	
18	GU95008205	Washer 5,3x10x0,8	1	
19	AP8124976	Plate light wiring	1	
20	GU93450105	Lamp 12V-5W	1	
21	GU95021206	Washer	2	

Assembly	FRAME
Code	33.33
Description	Electrical system I
Revision	1



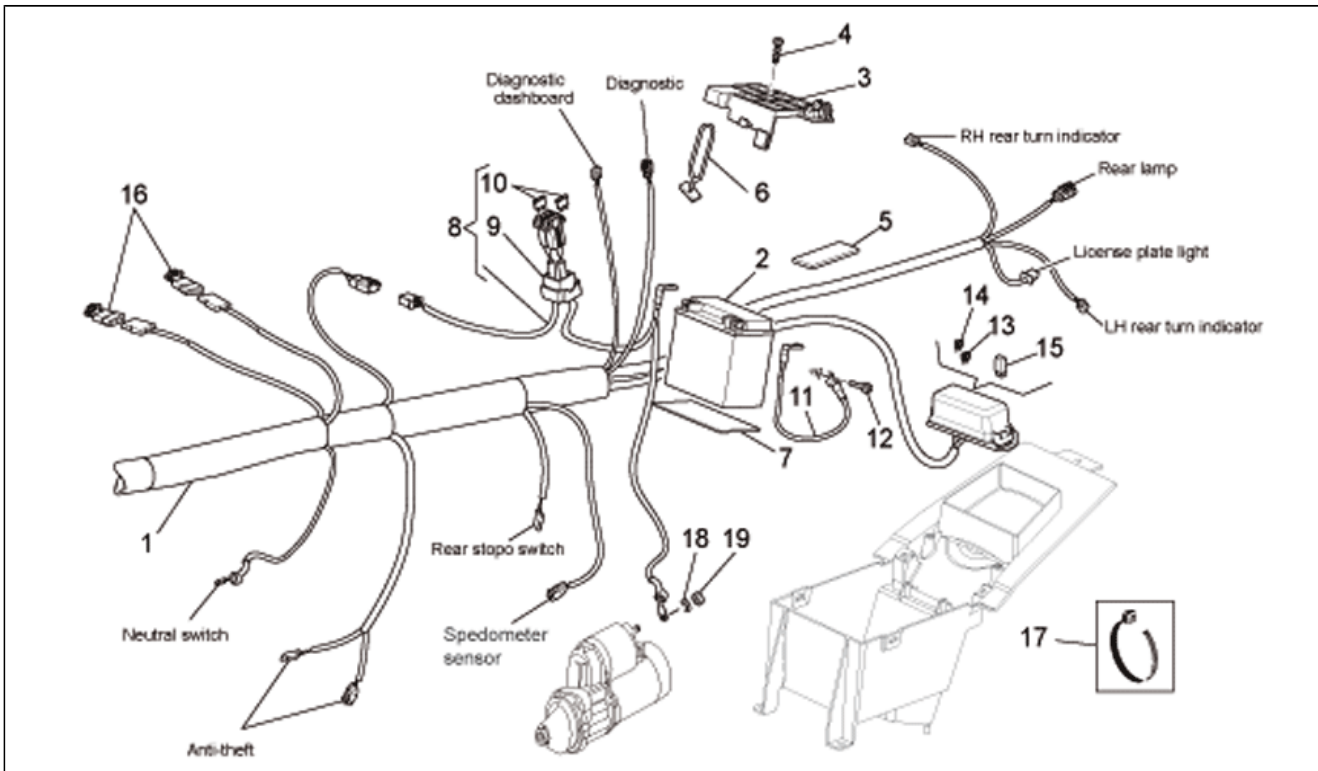
Pos.	Code	Description	Q.ty	Variants
1	978366	Main wiring harness	1	
2	978368	ECU	1	
3	GU05729230	Bush	2	
4	AP8152279	Screw w/ flange M6x20	2	
5	AP8120030	Rubber spacer *	2	
6	AP8221023	T bush *	2	
7	AP8152282	Screw w/ flange M6x35	2	
8	GU05716530	HT coil	2	
9	GU98682125	Hex socket screw M4X25	4	
10	GU95021204	Washer	4	
11	978554	HT wire	2	
12	GU06717400	Sparkplug cap	4	
13	GU14717600	Cap	4	
14	GU30717061	Spark plug NGK BPR6ES	2	
15	977388	HT wire	2	
16	GU14609650	Hose clamp 3,6x20,6	23	
16	GU49609601	Hose clamp 2,4x92	5	
16	GU93304360	Hose clamp 7,6x380	2	
17	GU05717030	Spark plug NGK PMR8B	2	
18	GU01721600	Phase/revolution sensor	1	
19	GU90706141	O-ring	1	
20	GU01722700	Gasket 0,3mm	1	
20	GU01722701	Gasket 0,4mm	1	
20	GU01722702	Gasket 0,6mm	1	
20	GU01722703	Gasket 0,8mm	1	
20	GU01722704	Gasket 1mm	1	
20	GU01722705	Gasket 1,5mm	1	
20	GU29722760	Gasket 0,5 mm	1	

Assembly	FRAME
Code	33.33
Description	Electrical system I
Revision	1



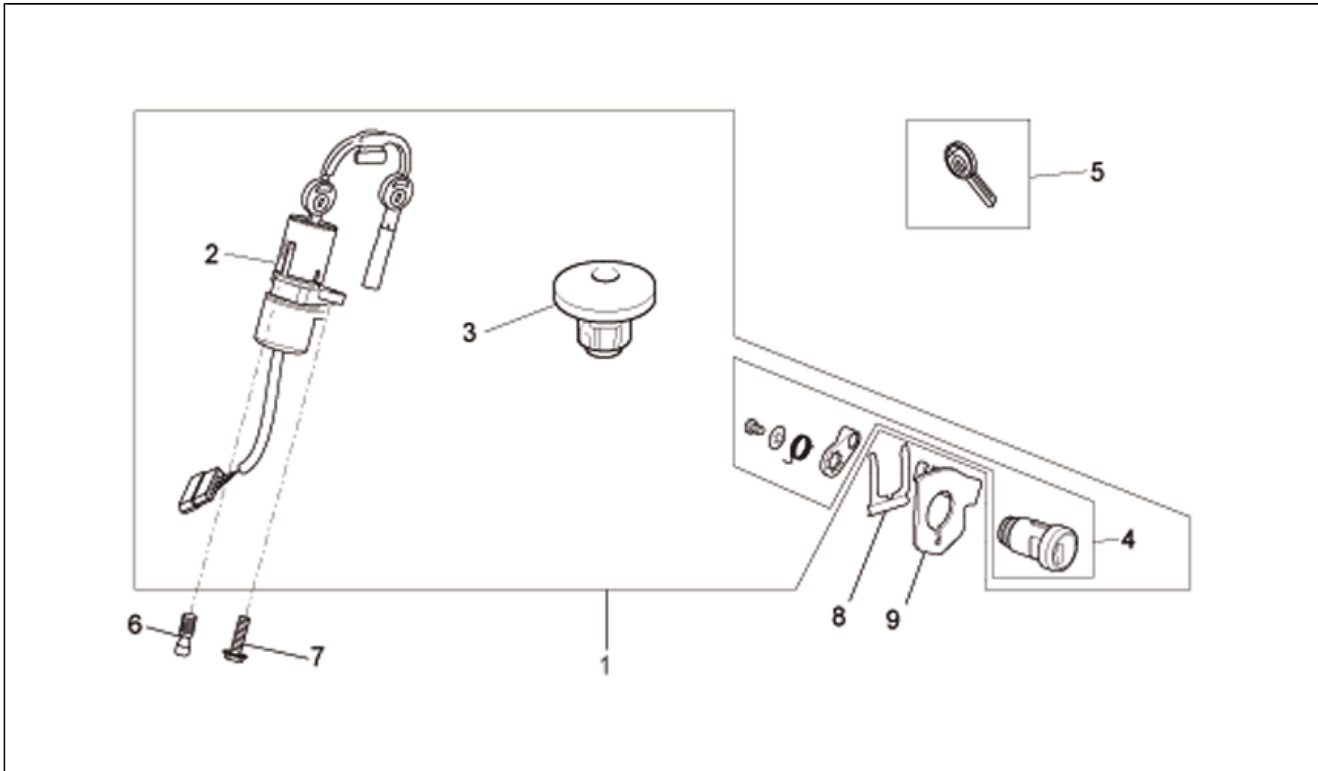
Pos.	Code	Description	Q.ty	Variants
21	GU98682212	Hex socket screw M5x12	2	
22	GU95008205	Washer 5,3x10x0,8	2	
23	GU29729461	Oil temperature sensor	1	
24	GU03163330	Sensor support	1	
25	GU95008210	Washer 10,2X18X2	1	
26	GU30729330	Air temp. Sensor	1	
27	GU30728230	Sensor support	1	
28	GU98680110	Hex socket screw M3x10	2	
29	GU95120033	Washer 3,2x5,8x0,8	2	
30	GU92606003	Nut M3	2	
31	AP8124936	Air temp. Sensor	1	
32	GU90274002	Washer for shafts	2	

Assembly	FRAME
Code	33.34
Description	Electrical system II
Revision	1



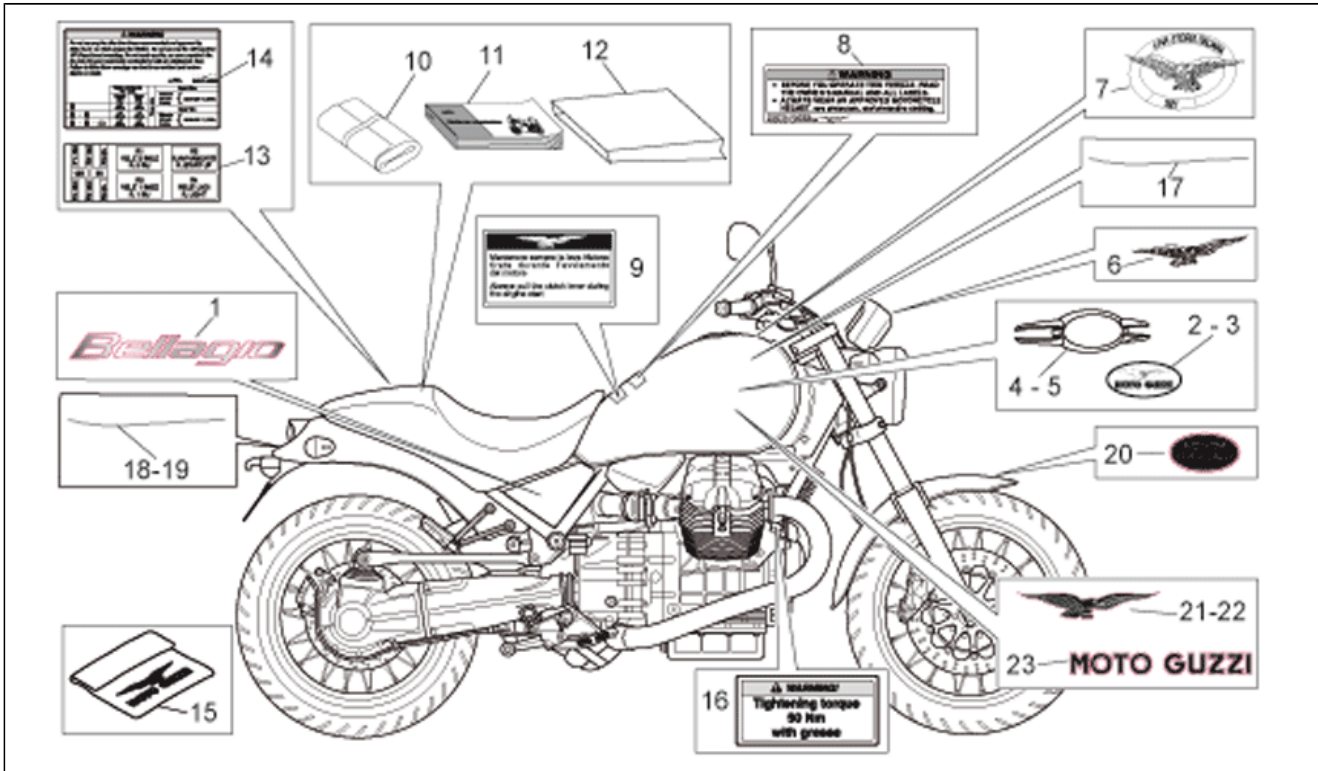
Pos.	Code	Description	Q.ty	Variants
1	978366	Main wiring harness	1	
2	GU05704531	Battery 12V-20Ah	1	
3	GU05704630	Battery cover	1	
4	AP8152329	Phillips screw, SWP M5X20	2	
5	AP8117200	Adhesive sponge	1	
6	AP8120177	Headlight supp.snap	2	
7	AP8144553	Support rubber part	2	
8	GU05747830	Wiring	1	
9	AP8112811	Rubber fuse box	1	
10	GU28742562	Fuse 30A	3	
11	978505	Ground-battery lead	1	
12	AP8152277	Screw w/ flange M6x12*	1	
13	977769	Fuse 3A	3	
14	977772	Fuse 15A	5	
15	GU01731760	Relay shunt va.siem. A1001A403	4	
16	AP8212588	Diode	2	
17	GU14609650	Hose clamp 3,6x20,6	23	
17	GU49609601	Hose clamp 2,4x92	5	
17	GU93304360	Hose clamp 7,6x380	2	
18	GU95129131	Washer 8,4x15x1,7	1	
19	GU92609408	Nut M8x1,25	1	

Assembly	FRAME
Code	33.35
Description	Lock hardware kit
Revision	1



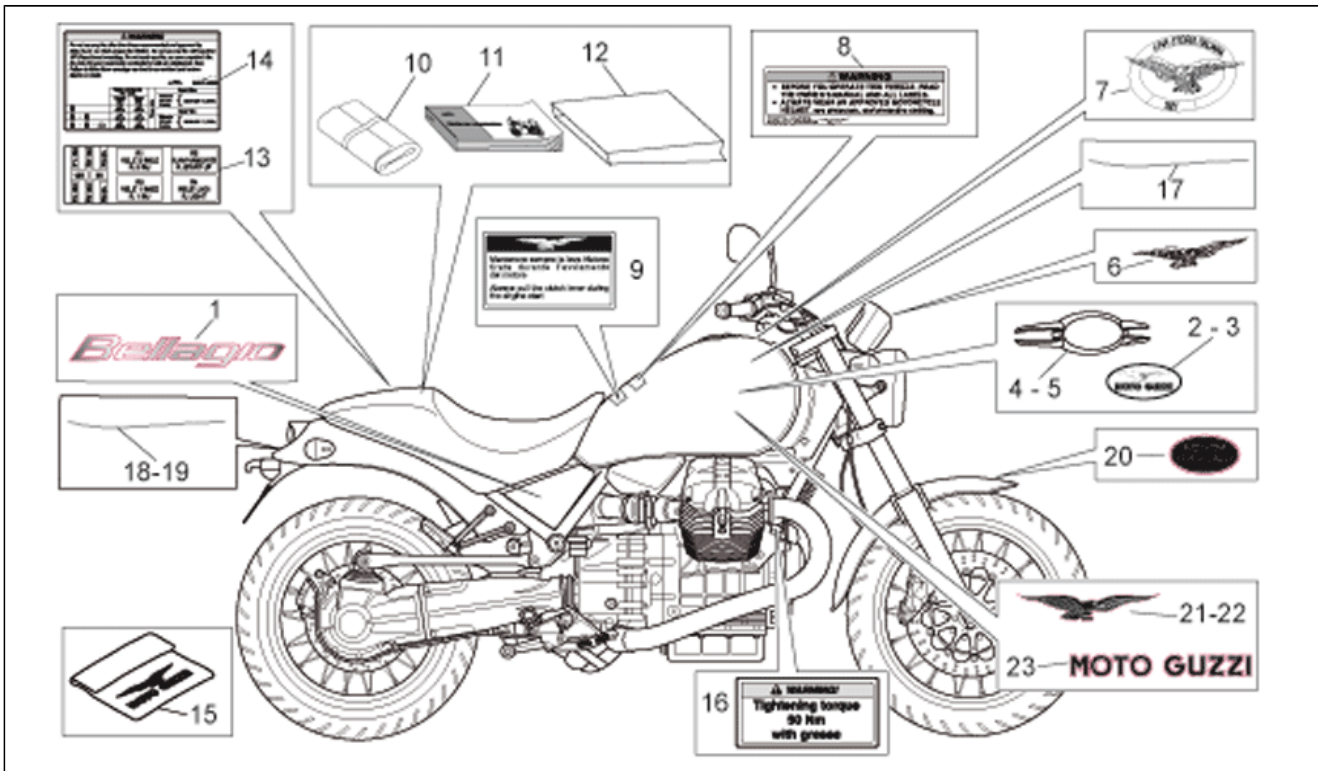
Pos.	Code	Description	Q.ty	Variants
1	977389	Lock hardware kit	1	
2	977528	Main switch - steering lock	1	
3	GU32103960	Tank cap	1	
4	977527	Saddle lock	1	
5	GU32735510	Non indent.key blank-shell go	1	
5	GU32735511	Non indent.key blank-shell cr	1	
6	GU97260415	Special screw M8x15	1	
7	GU98682416	Hex socket screw M8X16	1	
8	AP8121420	Fork spring	1	
9	978415	Cable fixing plate	1	

Assembly	FRAME
Code	33.36
Description	Plate set-decal-op.handbooks
Revision	1



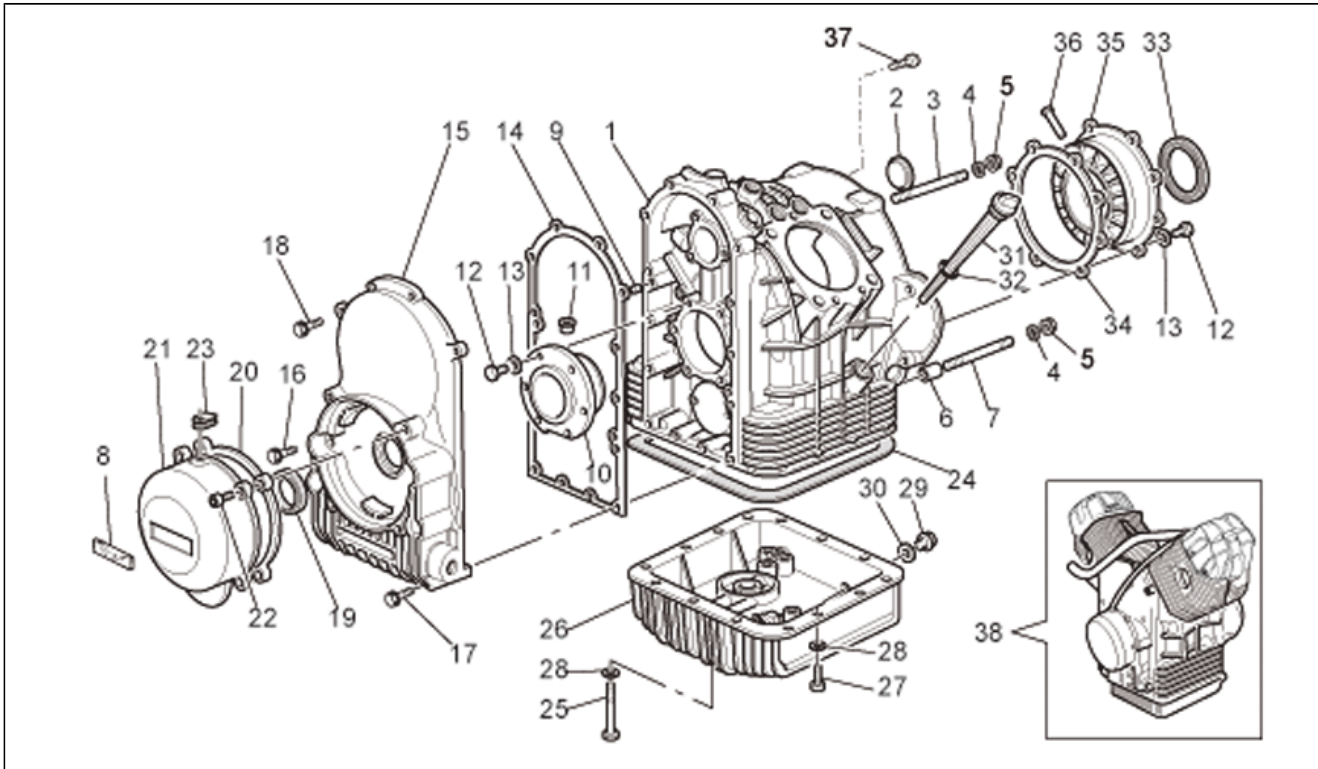
Pos.	Code	Description	Q.ty	Variants
1	978552	Black decal Bellagio	2	
2	GU06917400	LH Name plate,red/gold AL	1	year:2007[7], 2008[8]
3	GU06917300	RH Name plate,red/gold AL	1	year:2007[7], 2008[8]
4	978508	Sticker RH	1	year:2007[7], 2008[8]
5	978509	Sticker LH	1	year:2007[7], 2008[8]
6	978551	"Aquila" decal	1	
7	GU05917530	Decal "Italian Story"	1	
8	GU30944300	Decal "Attention"	1	
9	GU05944930	Decal Engine Start	1	
10	GU05909930	Toolkit	1	
11	978346	Operator's handbook I-F-D-NL	1	Country:Australia[AUS], Other country[EU], Japan[J], Great Britain[UK]
12	GU05900130	Bag for document	1	
13	978520	Sticker "schema fusibili"	1	
14	GU05926030	Tyre pressure decal	1	Country:Australia[AUS], Other country[EU], Japan[J], Great Britain[UK]
15	GU30970200	Bike cover	1	
16	GU05944530	Decal Warning	1	
17	883269	Silver decal	2	year: 2008[8] Color: Grey/white 2008[gr/wh], red/white 2008[r/wh] Technical Specifications:Luxury version[LUX]
18	883272	Sticker LH silver	1	year: 2008[8] Color: Grey/white 2008[gr/wh], red/white 2008[r/wh] Technical Specifications:Luxury version[LUX]
19	883271	RH silver decal	1	year: 2008[8] Color: Grey/white 2008[gr/wh], red/white 2008[r/wh] Technical Specifications:Luxury version[LUX]
20	886141	Decal "Moto Guzzi"	1	year: 2009[9] Color:Black Eagle 2009[b.eagle]
21	886142	Sticker RH "Aquila Nera"	1	year: 2009[9] Color:Black Eagle 2009[b.eagle]

Assembly	FRAME
Code	33.36
Description	Plate set-decal-op.handbooks
Revision	1



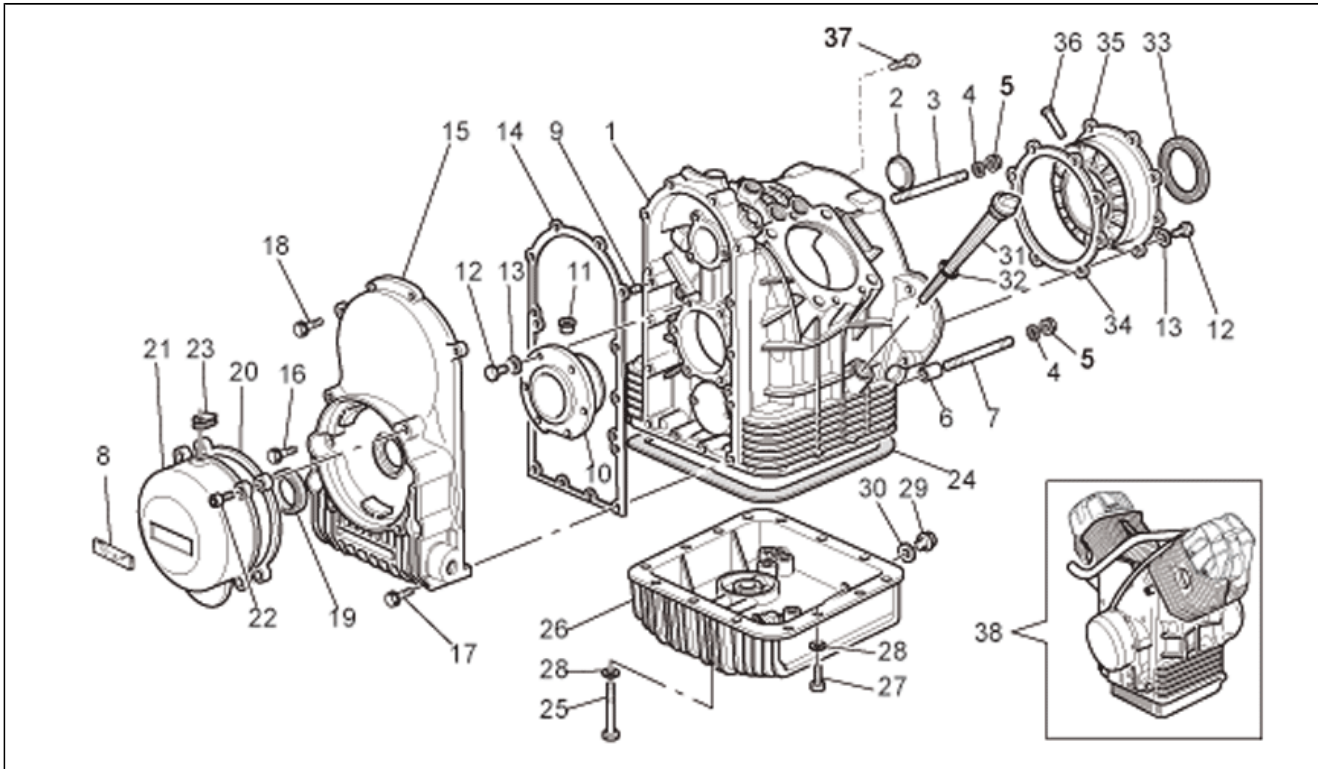
Pos.	Code	Description	Q.ty	Variants
22	886143	Sticker LH "Aquila Nera"	1	year: 2009[9] Color:Black Eagle 2009[b.eagle]
23	886144	Black decal "Moto Guzzi"	2	year: 2009[9] Color:Black Eagle 2009[b.eagle]

Assembly	ENGINE
Code	34.37
Description	Crank-case
Revision	1



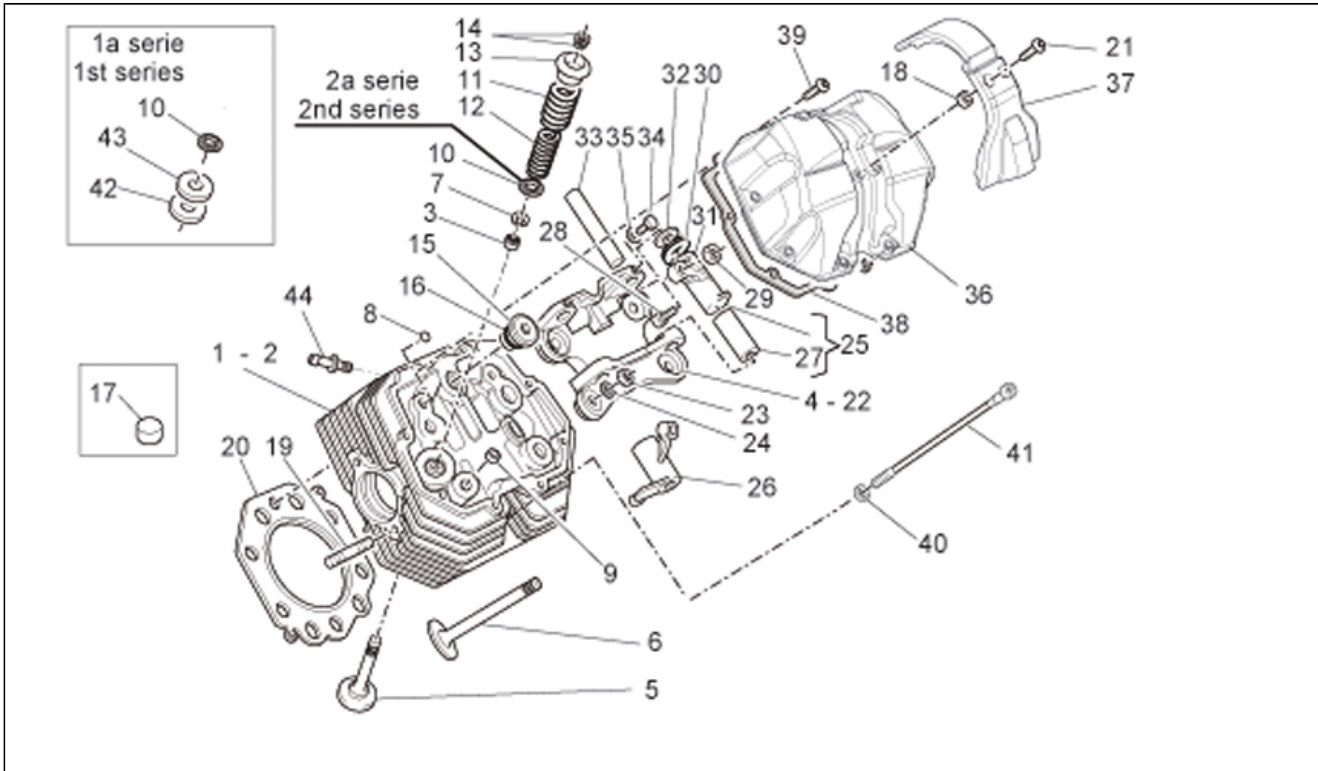
Pos.	Code	Description	Q.ty	Variants
1	976449	Crankcase black	1	
2	GU12003900	Disc	1	
3	GU96508066	Stud bolt M8X66	3	
4	GU14615901	Washer 8,4X13X0,8	5	
5	GU92660021	Flanged nut M8	5	
6	GU12018900	Coupling bush	2	
7	GU96508075	Stud bolt M8x75	2	
8	GU02517700	Adhesive label	1	
9	GU95512081	Pin	2	
10	GU14011900	Complete flange	1	
10	GU14011901	Flange min.0,2 mm	1	
11	GU12012200	Pin	1	
12	GU98084425	Hex screw M8x25	14	
13	GU61270300	Spring washer 8x15x0,3	14	
14	GU05001230	Cover gasket	1	
15	976450	Timing cover black	1	
16	AP8152280	Screw w/ flange M6X25	4	
17	AP8152282	Screw w/ flange M6x35	6	
18	AP8152287	Screw w/ flange M8x25*	4	
19	GU90402840	Gasket ring 28x38x7	1	
20	GU18001150	Flange	1	
21	GU03001600	Generator cover polished plated	1	
22	GU98310631	Screw	4	
23	GU19007700	Rubber spacer	1	
24	GU14003600	Sump gasket	1	
25	GU98082390	Screw	4	
26	976451	Oil sump black	1	
27	GU98682325	Hex socket screw M6x25	14	

Assembly	ENGINE
Code	34.37
Description	Crank-case
Revision	1



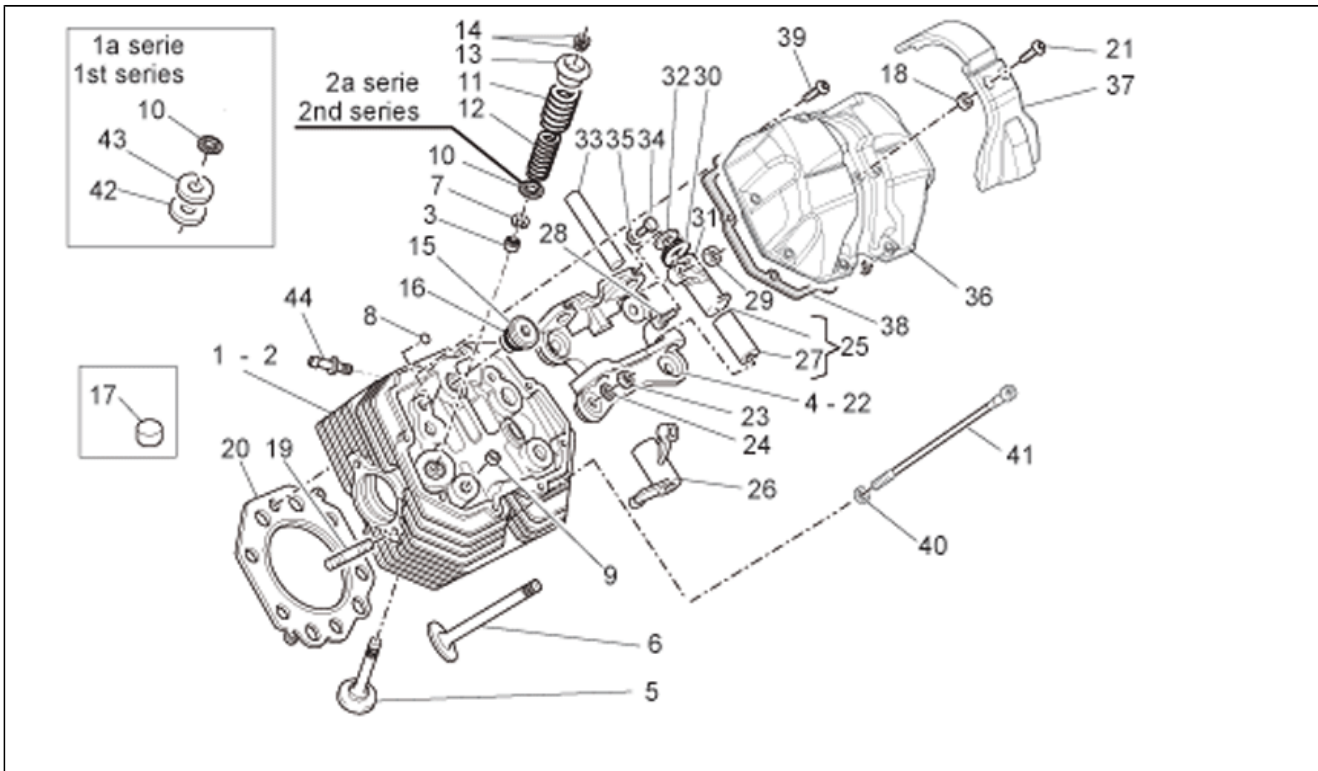
Pos.	Code	Description	Q.ty	Variants
28	GU95008206	Washer 6,15x11x0,8	18	
29	GU12003702	Oil unload plug	1	
30	GU95100709	Gasket 20,1x28x2	1	
31	GU30004910	Oil plug	1	
32	GU90706178	O-ring 17,86X2,62	1	
33	GU90405367	Gasket ring	1	
34	GU05011830	Gasket	1	
35	GU12011400	Complete flange	1	
35	GU12011401	Flange min.0,2 mm	1	
35	GU12011402	Flange min.0,4 mm	1	
35	GU12011403	Flange min.0,6 mm	1	
36	GU12011700	Pin	1	
37	AP8152291	Screw w/ flange M8x45*	1	
38	976923	Engine black	1	

Assembly	ENGINE
Code	34.38
Description	Cylinder head and valves
Revision	1



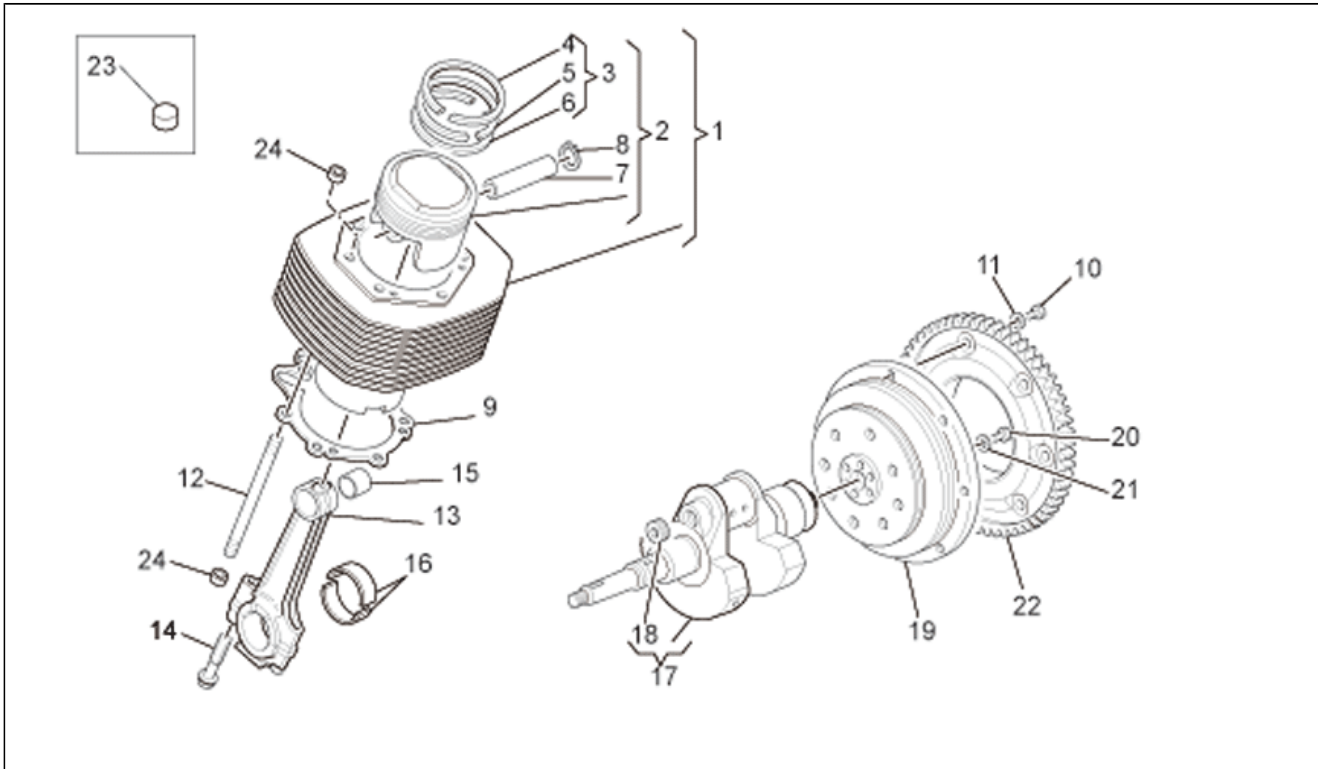
Pos.	Code	Description	Q.ty	Variants
1	976079	RH head assy w/h valve grey	1	
2	976080	LH head assy without valve grey	1	
3	976107	Valve stem seal D8	4	
4	976152	RH.Rocker arm support	1	
5	GU05036131	Exhaust valve	2	
6	GU05036030	Intake valve	2	
7	GU90353016	Snap ring	4	
8	224202	O-ring 8,73x1,78-viton	4	
9	825597	Pin 11,8X10	4	
10	976181	Lower cup 14,2x32x7	4	Technical Specifications:2nd Serie[2A]
10	GU01037030	Lower cup 14,2x32x5	4	Technical Specifications:1st Serie[1A]
11	GU37037405	Outer spring	4	
12	GU37037605	Inner spring	4	
13	GU01038060	Upper cup	4	
14	GU01038160	Valve half-cone	8	
15	GU12022600	Oil plug	2	
16	GU90706203	O-ring 20,24X2,62	2	
17	GU05025331	Rubber spacer	18	
18	GU32116810	Bush 6,8x8,8x9,8	4	
19	GU96508040	Stud bolt	4	
20	976052	Gasket	2	
21	AP8152298	Screw w/ flange M5x16	4	
22	976153	LH.Rocker arm support	1	
23	GU92603010	Nut M10X1,5	10	
24	GU14018400	Washer 10,5X21X1	10	
25	GU14030201	RH rocker arm assy	2	
26	GU14030401	LH rocker arm assy	2	
27	GU91111511	Bush 15x18x43	4	

Assembly	ENGINE
Code	34.38
Description	Cylinder head and valves
Revision	1



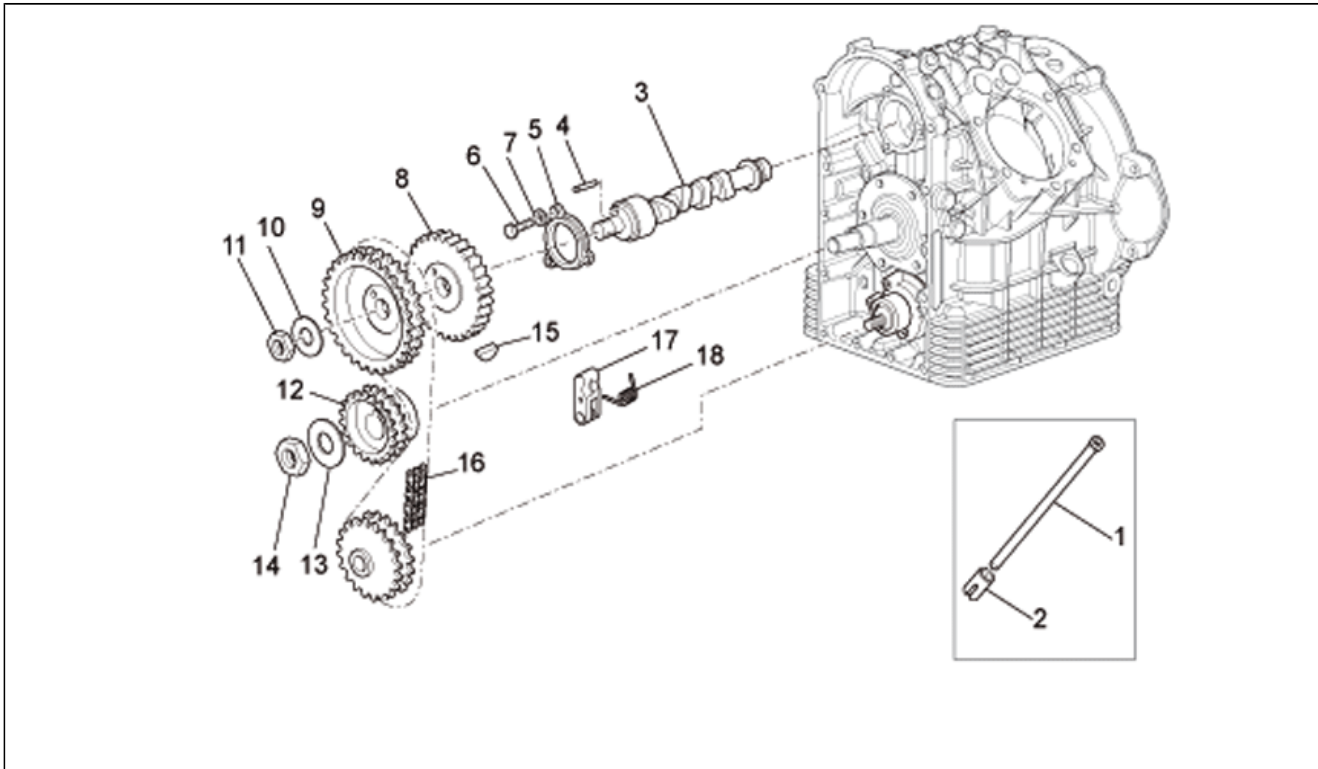
Pos.	Code	Description	Q.ty	Variants
28	GU17034050	Adjuster screw	4	
29	GU10034100	Nut	4	
30	GU94322215	Spring	4	
31	GU90118152	Washer 15,2x26x1	8	
32	GU10032700	Washer 15,2x26x0,5	4	
33	GU12031800	Rocker shaft	4	
34	GU98084316	Hex screw M6X16	4	
35	GU95120065	Washer 6,5x11x2	4	
36	976095	RH/LH head cover grey	2	
37	GU05023430	Insert	2	
38	976139	Cover gasket	2	
39	GU05025930	Screw M6x25	16	
40	GU95129180	Washer 10,5X18X0,8	4	
41	976144	Screw	4	
42	GU13037200	Washer 14,2x31x1	4	Technical Specifications:1st Serie[1A]
43	GU14037300	Washer 14,2x31x0,3	10	Technical Specifications:1st Serie[1A]
44	GU32023910	Breather union on head	2	

Assembly	ENGINE
Code	34.39
Description	Crankshaft cpl.
Revision	1



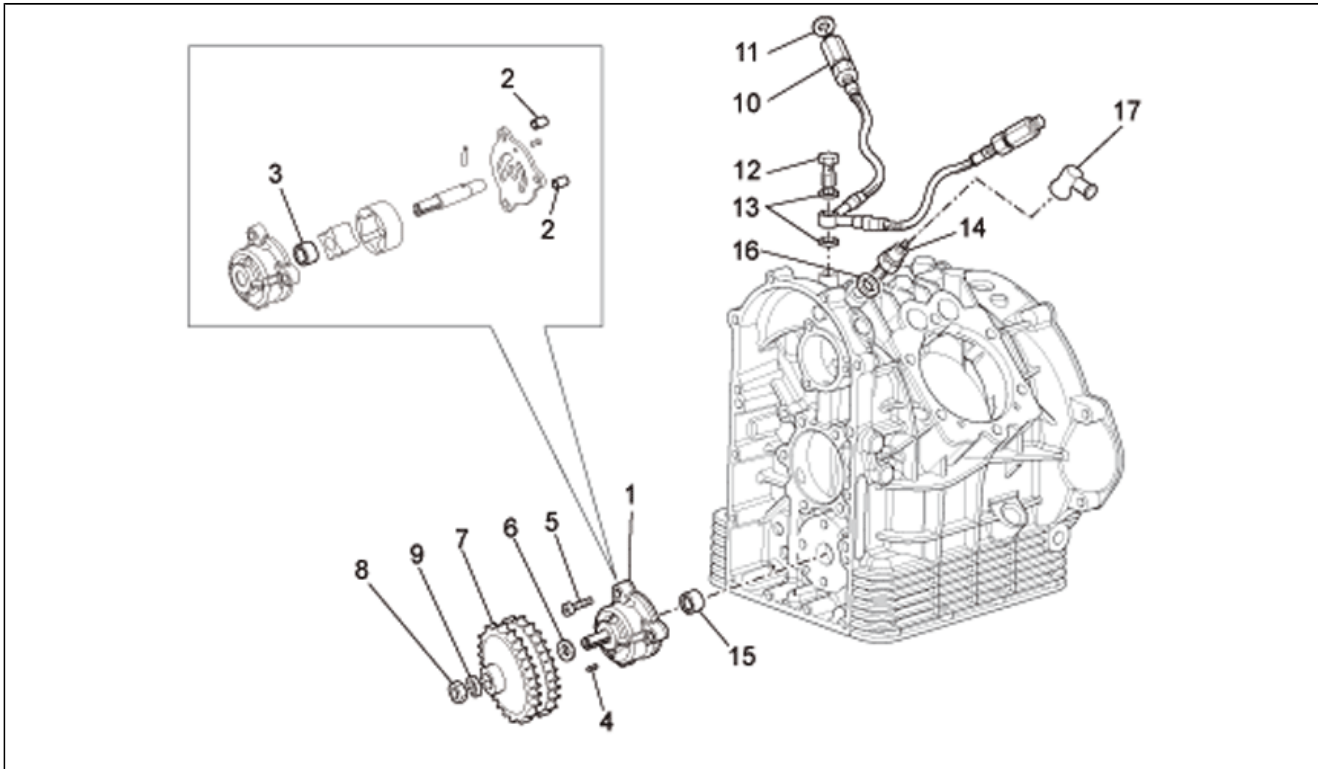
Pos.	Code	Description	Q.ty	Variants
1	981002	Cylinder with piston	2	
2	976371	Piston assy D.95	2	
3	976183	Pistonring set	2	
4	976070	Piston ring	2	
5	976071	Piston ring	2	
6	976072	Piston ring	2	
7	GU30061241	Piston pin	2	
8	GU90351039	Stop ring	4	
9	976064	Gasket	2	
10	GU37067705	Screw TCEI M6x12	8	
11	GU14217901	Washer 6,4x10x0,7	8	
12	976031	Stud bolt	8	
13	976006	Connecting rod cpl.	2	
14	849131	Connecting rod screw	4	
16	976171	Bearing half-shell 1,535-1,540	4	Technical Specifications:Red Sign[RS]
16	976172	Bearing half-shell 1,539-1,544	4	Technical Specifications:Blue sign[BS]
17	976425	Crankshaft cpl.	1	
18	976020	Plug	1	
19	GU04067000	Flywheel cpl.	1	
20	976481	Screw w/ flange M8X25	6	
21	976484	Conical spring washer 8,2X15	6	
22	GU01067930	Chain ring	1	
23	GU05025330	Rubber spacer	54	
24	825597	Pin 11,8X10	6	

Assembly	ENGINE
Code	34.40
Description	Timing system
Revision	1



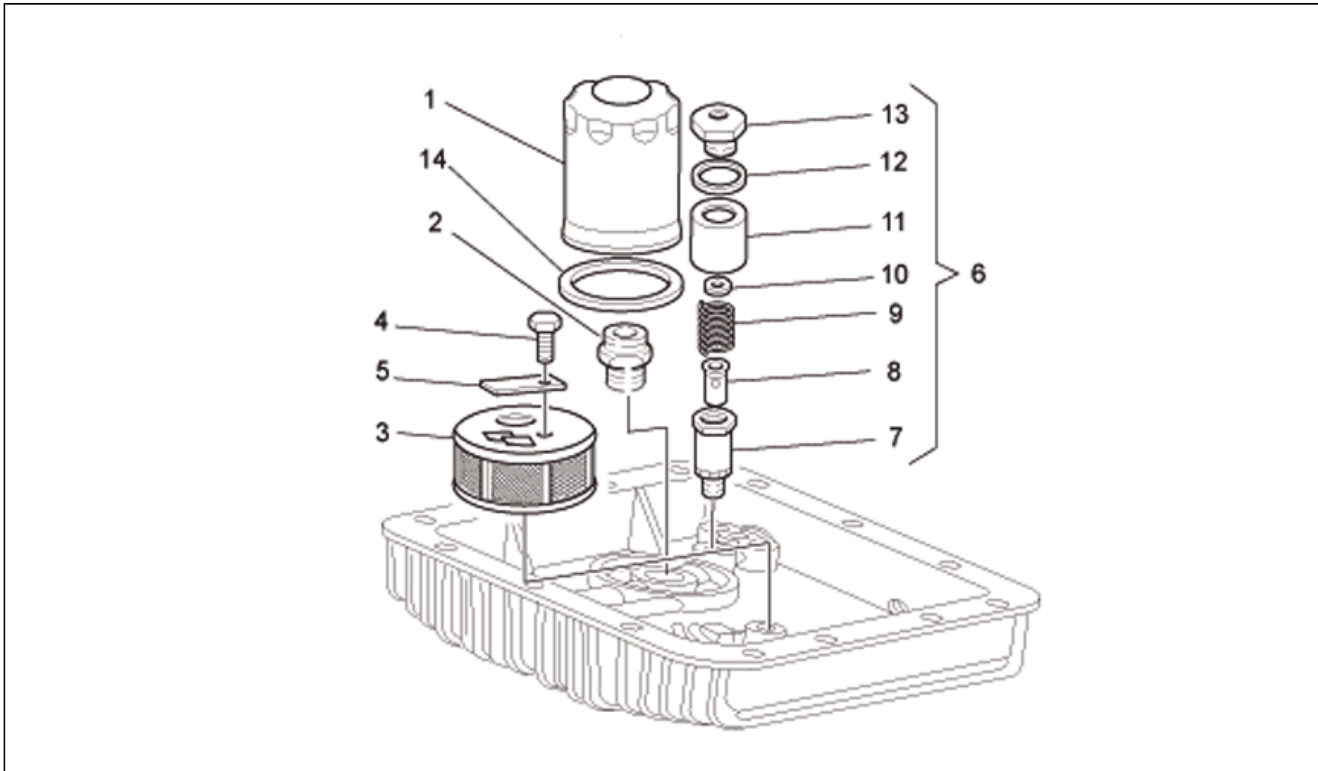
Pos.	Code	Description	Q.ty	Variants
1	GU37045006	Rocker arm rod	4	
2	GU17045860	Tappet	4	
3	GU05053331	Camshaft	1	
4	GU14234600	Pin	1	
5	GU01054001	Flange	1	
6	GU98084320	Hex screw M6x20	3	
7	GU95120065	Washer 6,5x11x2	3	
8	GU01051730	Wheel speed sensor, left front	1	
9	GU05054532	Timing system gear	1	
10	GU14433400	Spring washer 19x34x1,5	1	
11	GU92750180	Nut M18	1	
12	GU14072001	Pinion	1	
13	GU95100837	Washer 25,5x35x2	1	
14	GU92602525	Nut M25	1	
15	GU91702355	Transmission key	1	
16	GU05058030	Chain	1	
17	GU30058310	Chain guide plate	1	
18	GU30059211	Spring	1	

Assembly	ENGINE
Code	34.41
Description	Oil pump
Revision	1



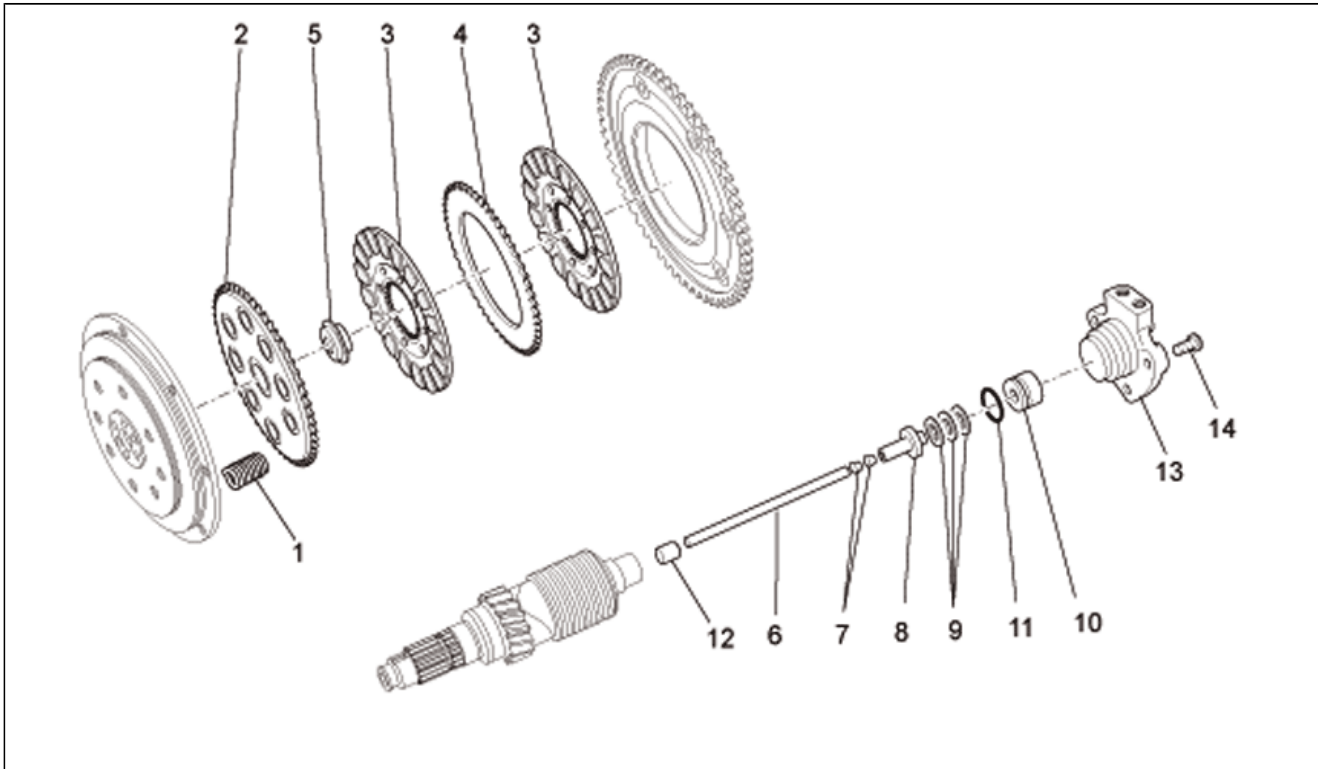
Pos.	Code	Description	Q.ty	Variants
1	976134	Oil pump	1	
2	277916	Locating dowel	2	
3	976165	Needle bearing 12x18x12	1	
4	GU13148300	Transmission key	1	
5	GU98350330	Hex socket screw M6x30	3	
6	976448	Fifth wheel	1	
7	GU30147700	Oil pump gear	1	
8	GU92602510	Nut M10x1,25	1	
9	GU19149800	Washer 10,5x16x1	1	
10	GU05153630	Pipe	1	
11	GU25656102	Gasket	2	
12	GU95990037	Screw	1	
13	GU12154200	Gasket 8,25x15x1	2	
14	GU31768780	Pressure sensor	1	
15	976168	Needle bearing 10x14x12	1	
16	GU12006400	Gasket 12,25	1	
17	976688	Pressure oil sensor cap	1	

Assembly	ENGINE
Code	34.42
Description	Oil filters
Revision	1



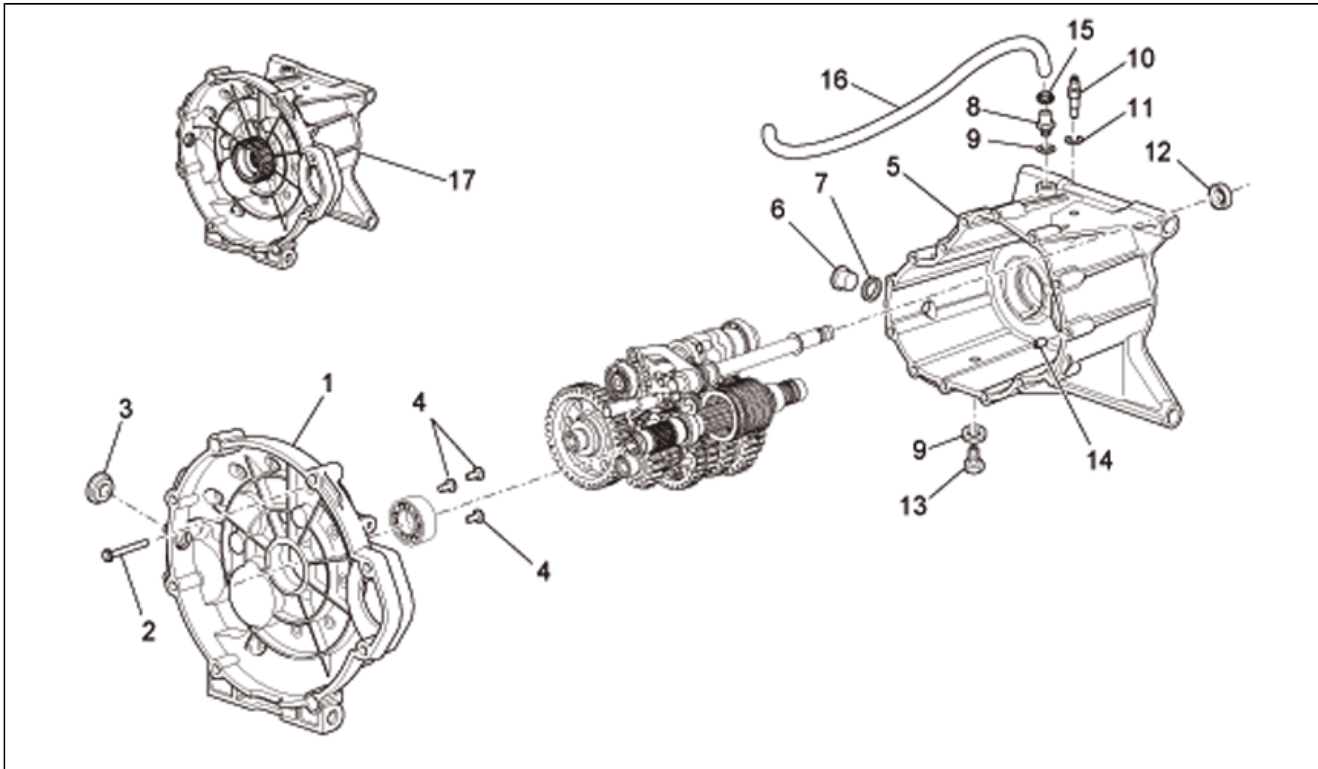
Pos.	Code	Description	Q.ty	Variants
1	GU30153000	Oil filter	1	
2	GU30003800	Oil filter union	1	
3	GU14152200	Oil filter	1	
4	GU98084316	Hex screw M6X16	1	
5	GU95187006	Plate	1	
6	GU03158200	Oil valve cpl.	1	
7	GU30158701	Valve body	1	
8	GU30150900	Piston	1	
9	GU94321079	Spring	1	
10	GU30158900	Washer	1	
11	GU30158800	Cup	1	
12	GU18144350	Washer 18,25x24x1	1	
13	GU30159000	Plug	1	
14	981115	Gasket	1	Technical Specifications: Ref. Technical communication #[CT1]

Assembly	ENGINE
Code	34.43
Description	Clutch
Revision	1



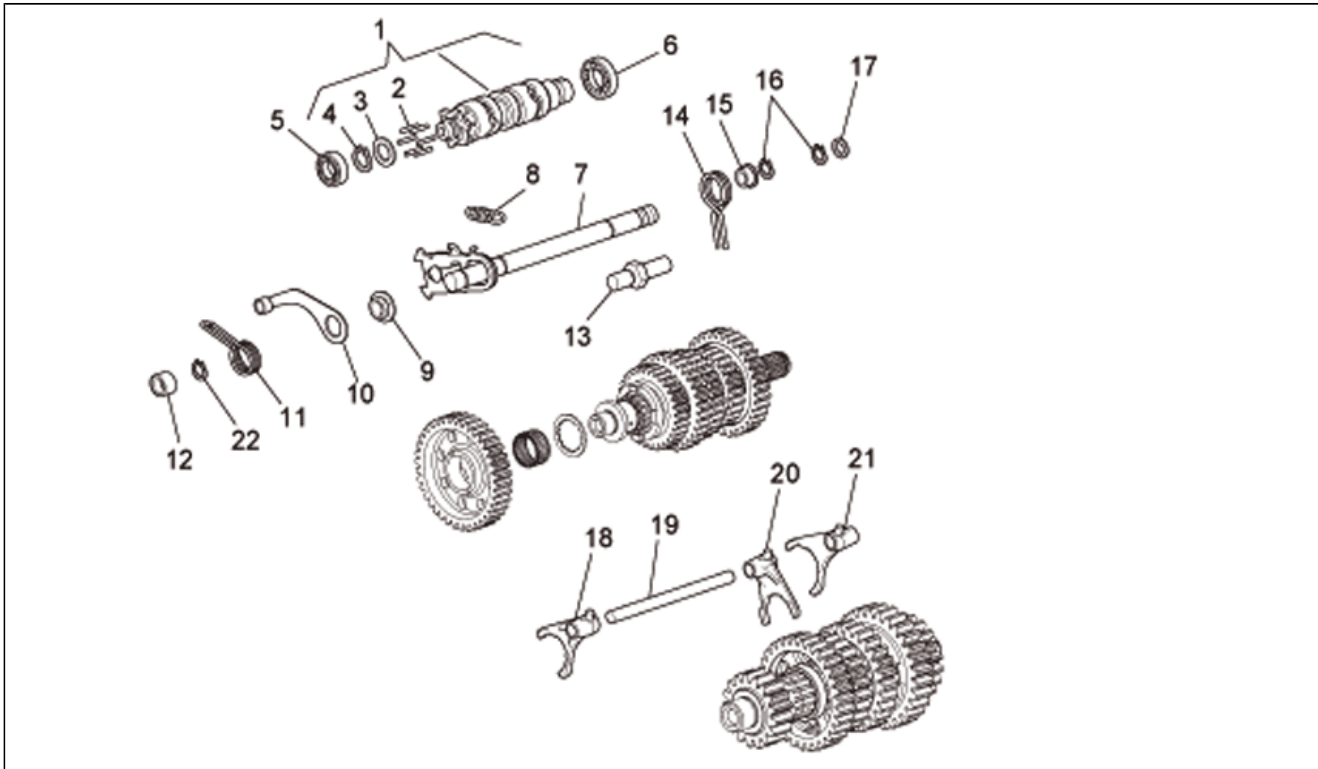
Pos.	Code	Description	Q.ty	Variants
1	GU04084100	Clutch spring	5	
1	GU13084100	Clutch spring	5	Technical Specifications:Red Sign[RS]
2	GU30082900	Disc	1	
3	GU05084430	Clutch plate complete	2	
4	GU12082300	Intermediate plate	1	
5	GU04082800	Cup	1	
6	GU05085730	Rod	1	
7	GU14085900	Bush	2	
8	GU14086000	Inner body	1	
9	GU12087001	Thrust bearing	1	
10	GU04086100	Clutch control cylinder	1	
11	GU90706170	O-ring 17,13x2,62	1	
12	GU05217630	Bush	1	
13	GU05086330	Clutch command cylinder	1	
14	AP8152278	Screw w/ flange M6x16*	3	

Assembly	ENGINE
Code	34.44
Description	Transmission cage
Revision	1



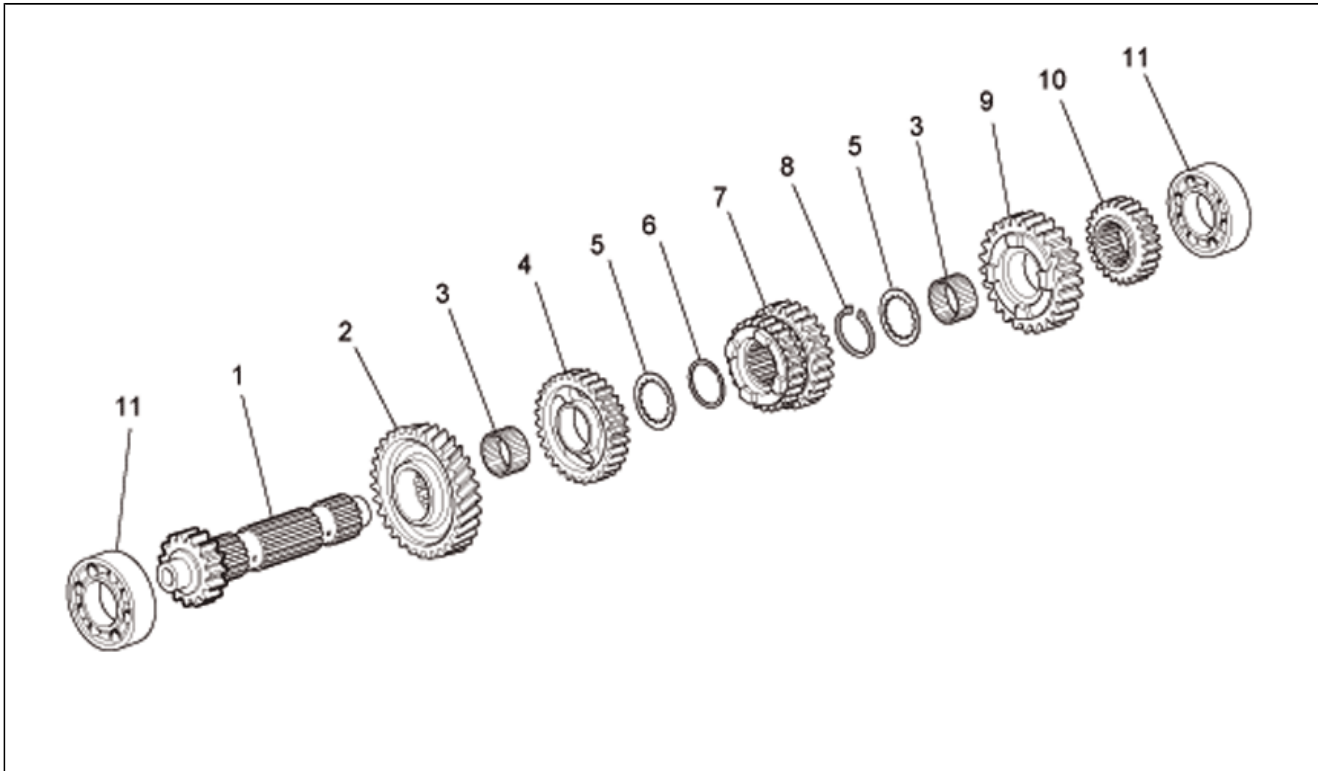
Pos.	Code	Description	Q.ty	Variants
1	976453	Clutch drum nero	1	
2	GU97202355	Screw w/ flange M6x55	14	
3	GU93180220	Plug	1	
4	GU98370616	Hex socket screw M6X16	3	
5	976452	Gearbox black	1	
6	GU95980319	Oil plug M18x1,5	1	
7	GU18144350	Washer 18,25x24x1	1	
8	GU05204930	Breather plug	1	
9	GU01528930	Gasket 10x18x1,5	2	
10	GU19207220	Sensor	1	
11	GU12154200	Gasket 8,25x15x1	1	
12	GU90401424	Gasket ring 14x24x7	1	
13	GU31003766	Oil unload plug M10X1	1	
14	GU19002020	Bush 6,6x9x13	2	
15	AP8101595	Hose clamp D10,1*	1	
16	AP8120952	Fuel pipe 5,5x10	1	
17	976926	Gear box assy	1	

Assembly	ENGINE
Code	34.45
Description	Gear box selector
Revision	1



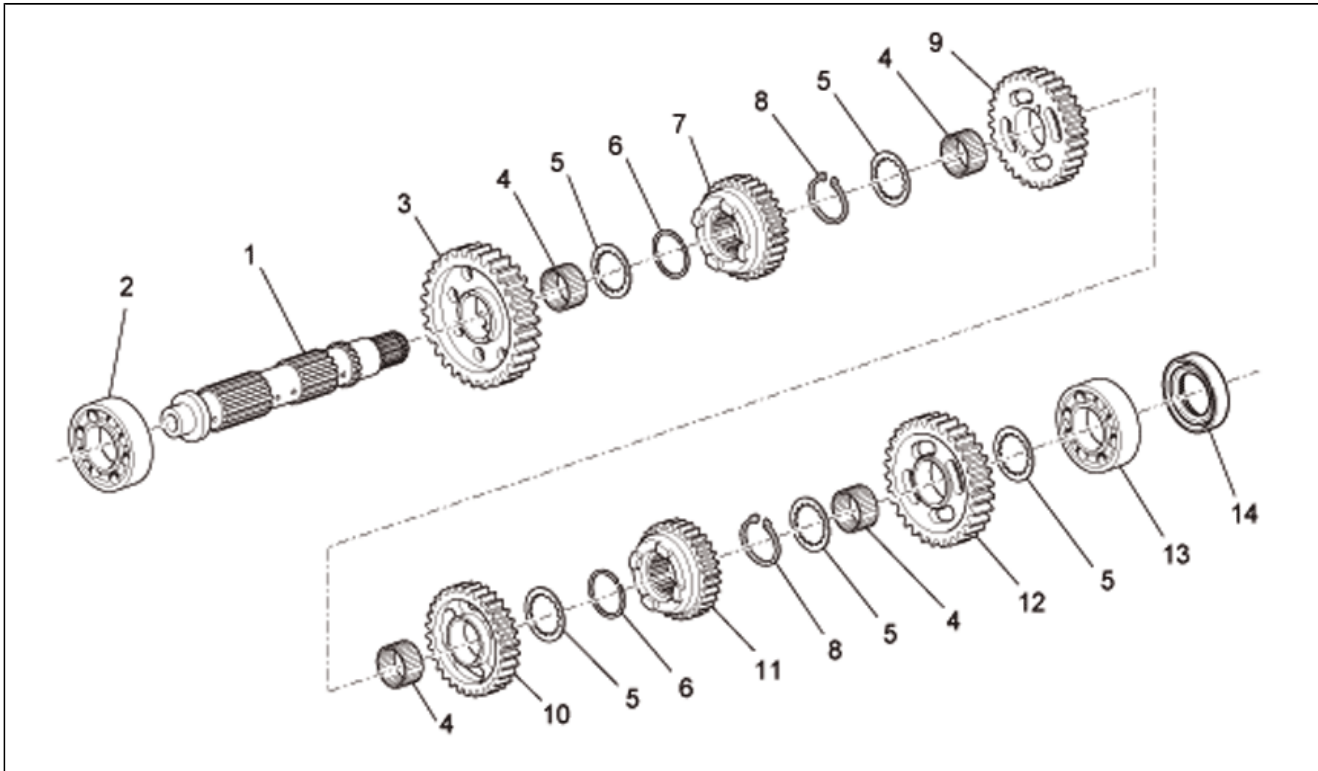
Pos.	Code	Description	Q.ty	Variants
1	GU05234431	Shift cam cpl.	1	
2	GU05234631	Pin	6	
3	GU05235531	Spacer	1	
4	GU90271022	Circlip	1	
5	GU92201117	Ball bearing 17x35x10	1	
6	GU92201025	Ball bearing 25x42x9	1	
7	GU05236231	Preselection complete	1	
8	GU05238231	Spring	1	
9	GU05238431	Bush	1	
10	GU05234731	Lever Index	1	
11	GU05234130	Spring	1	
12	GU05234230	Spacer	1	
13	GU05234931	Fixing pin	1	
14	GU05238331	Spring	1	
15	GU05238131	Spacer	1	
16	GU90271014	Circlip	2	
17	GU05239330	Fifth wheel	1	
18	GU05230531	Fork 1a-3a	1	
19	GU05232431	Fork shaft	1	
20	GU05232631	Fork 5a-6a	1	
21	GU05230831	Fork 2a-4a	1	
22	GU90353014	Circlip	1	

Assembly	ENGINE
Code	34.46
Description	Primary gear shaft
Revision	1



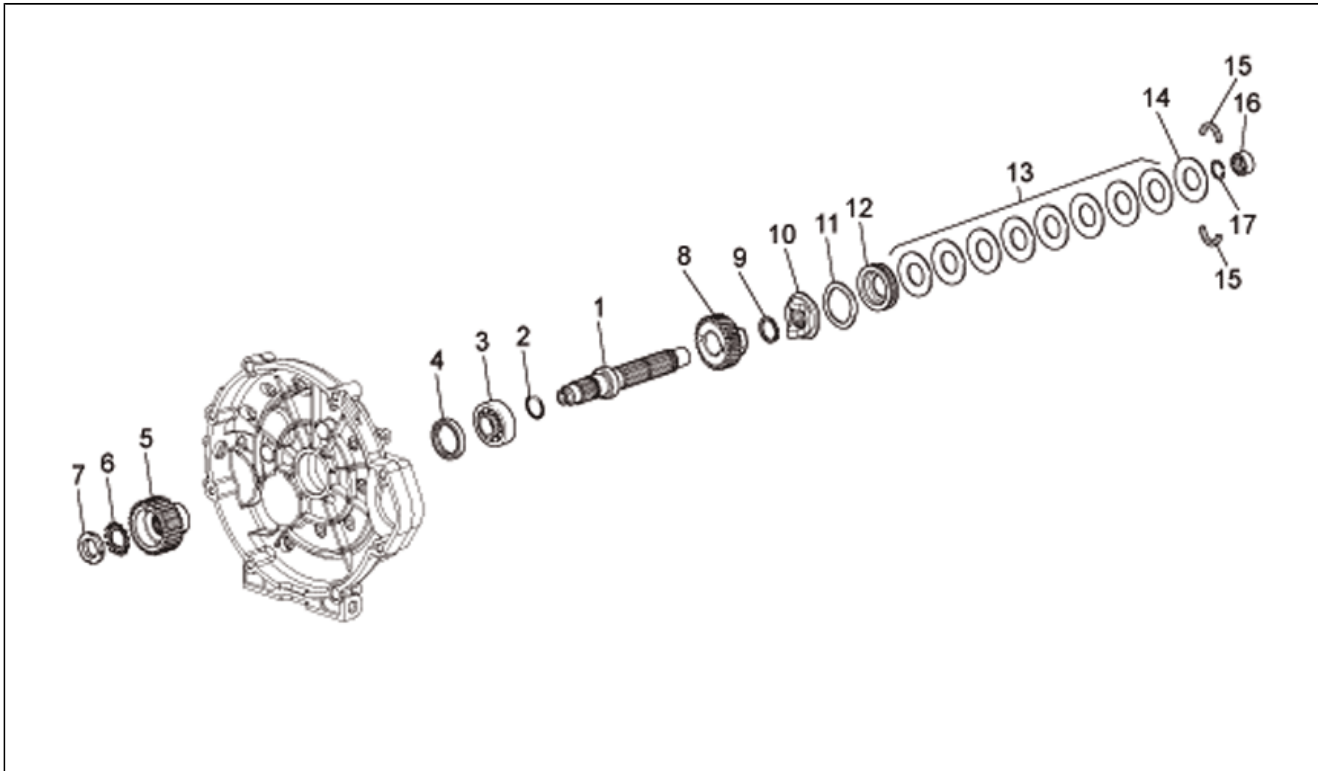
Pos.	Code	Description	Q.ty	Variants
1	GU05210631	Primary gear shaft Z=17	1	
2	GU06215600	Drive gears Z=35	1	
3	GU92252029	Roller cage 26x30x15,6	2	
4	GU05212031	Gear 5a Z=31	1	
5	GU05214630	Clearance washer	2	
6	GU90271230	Snap ring 30x1,2SW	1	
7	GU05211431	Gear 3a-4a Z=23-26	1	
8	GU90271030	Snap ring 30x27,9	1	
9	GU05212631	Gear 6a Z=29	1	
10	GU05211331	Gear 2a Z=20	1	
11	GU92201822	Ball bearing 20x52x15	2	

Assembly	ENGINE
Code	34.47
Description	Driven shaft
Revision	1



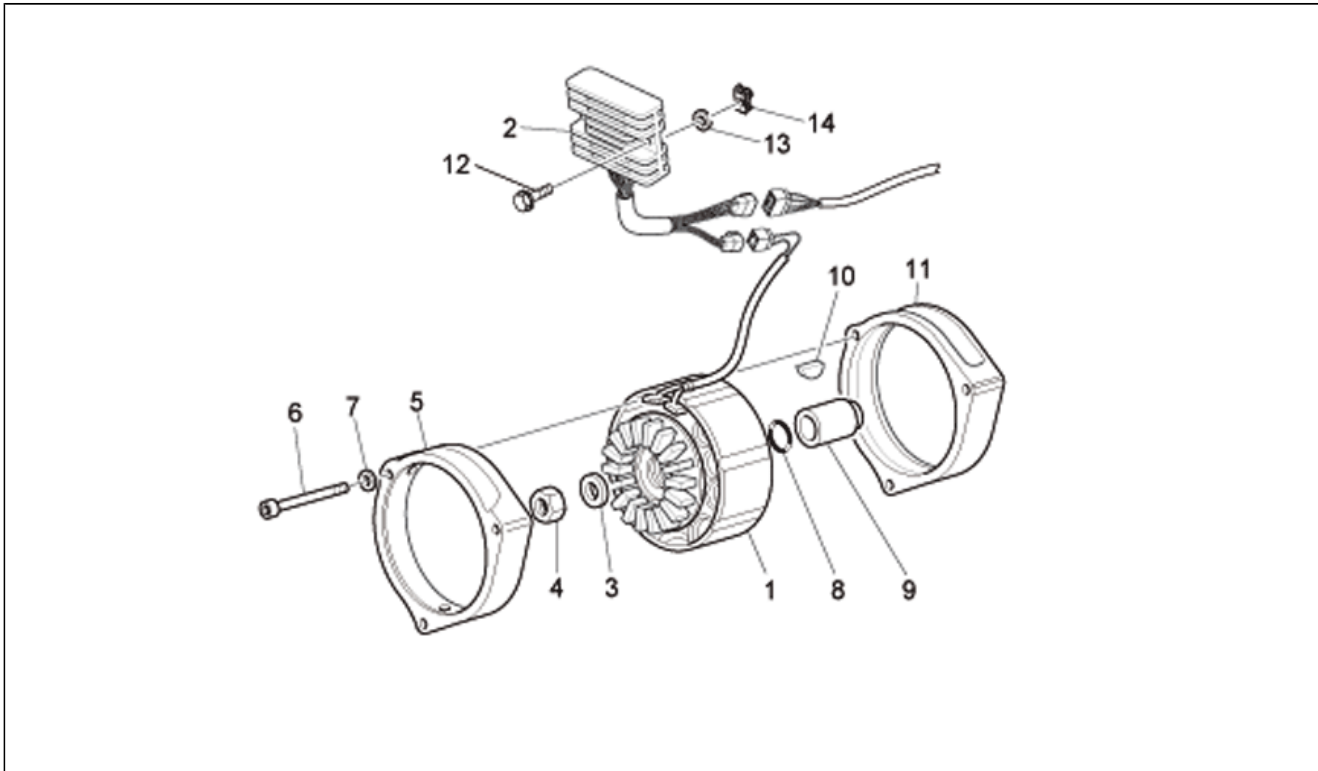
Pos.	Code	Description	Q.ty	Variants
1	GU05213631	Driven shaft	1	
2	GU92201822	Ball bearing 20x52x15	1	
3	GU05214231	Gear 1a Z=38	1	
4	GU92252029	Roller cage 26x30x15,6	4	
5	GU05214630	Clearance washer	5	
6	GU90271230	Snap ring 30x1,2SW	2	
7	GU05214031	Gear 5a Z=30	1	
8	GU90271030	Snap ring 30x27,9	2	
9	GU05214731	Gear 3a Z=31	1	
10	GU05215031	Gear 4a Z=29	1	
11	GU05220531	Gear 6a Z=25	1	
12	GU05214431	Gear 2a Z=34	1	
13	GU92201226	Ball bearing 25x52x15	1	
14	GU90412541	Gasket ring 25X40X7	1	

Assembly	ENGINE
Code	34.48
Description	Clutch shaft
Revision	1



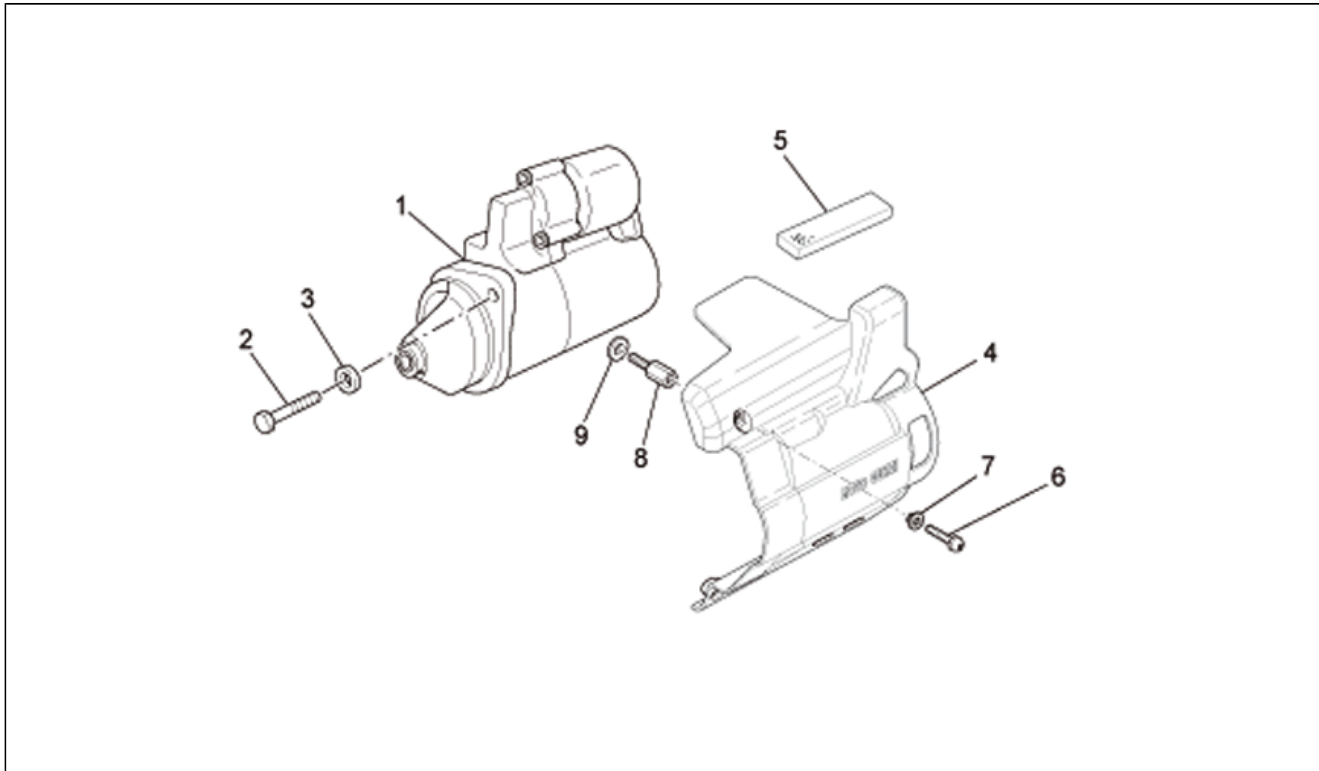
Pos.	Code	Description	Q.ty	Variants
1	GU05210731	Clutch shaft	1	
2	GU90706203	O-ring 20,24X2,62	1	
3	GU92201226	Ball bearing 25x52x15	1	
4	GU90403549	Gasket ring 35x47x7	1	
5	GU05081830	Clutch gear	1	
6	GU95028022	Washer 22x20x3,9	1	
7	GU93601022	Ring nut	1	
8	GU06211100	Idle gear Z=24	1	
9	GU90271125	Snap ring 25x2	1	
10	GU05211231	Hose	1	
11	GU95129340	Washer	3	
12	GU05211030	Disc	1	
13	GU05211530	Belleville spring	8	
14	GU05211630	Disc	1	
15	GU12211700	Half ring	2	
16	GU92232028	Roller bearing 20x28x13	1	
17	GU90272028	Snap ring 28x30,1	1	

Assembly	ENGINE
Code	34.49
Description	Current generator
Revision	1



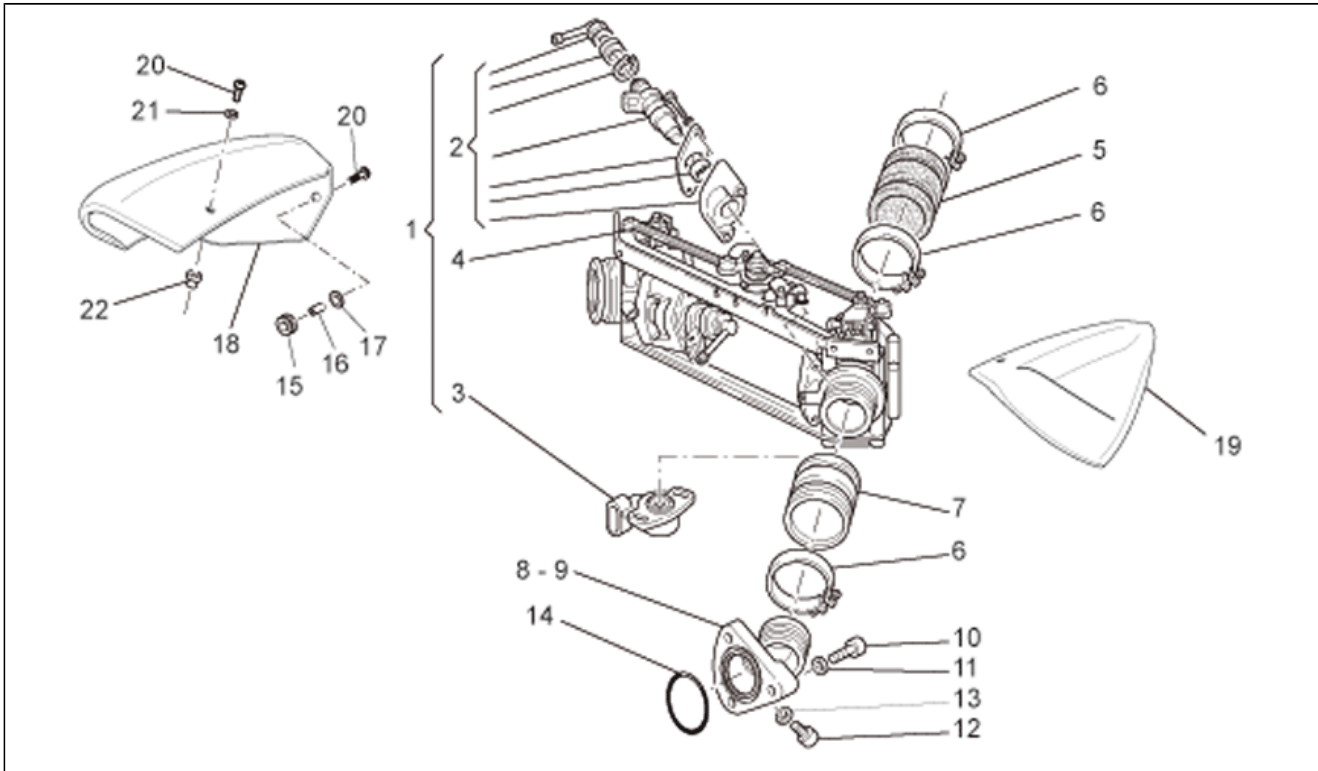
Pos.	Code	Description	Q.ty	Variants
1	GU32712411	Ducati generator	1	
2	GU32703810	DUCATI regulator	1	
3	GU30714201	Washer 16,25x24,5x5	1	
4	GU92606516	Nut M16	1	
5	GU29711460	Front calotte	1	
6	GU98680265	Hex socket screw M5x65	3	
7	GU29217960	Washer 5,9X3X0,8	3	
8	GU90706178	O-ring 17,86X2,62	1	
9	GU37712306	Spacer	1	
10	GU91600450	Transmission key	1	
11	GU29711960	Rear cap	1	
12	AP8152282	Screw w/ flange M6x35	2	
13	GU95100141	Washer 6,4x12x1,2	2	
14	GU28576591	Clip M6	2	

Assembly	ENGINE
Code	34.50
Description	Starter motor
Revision	1



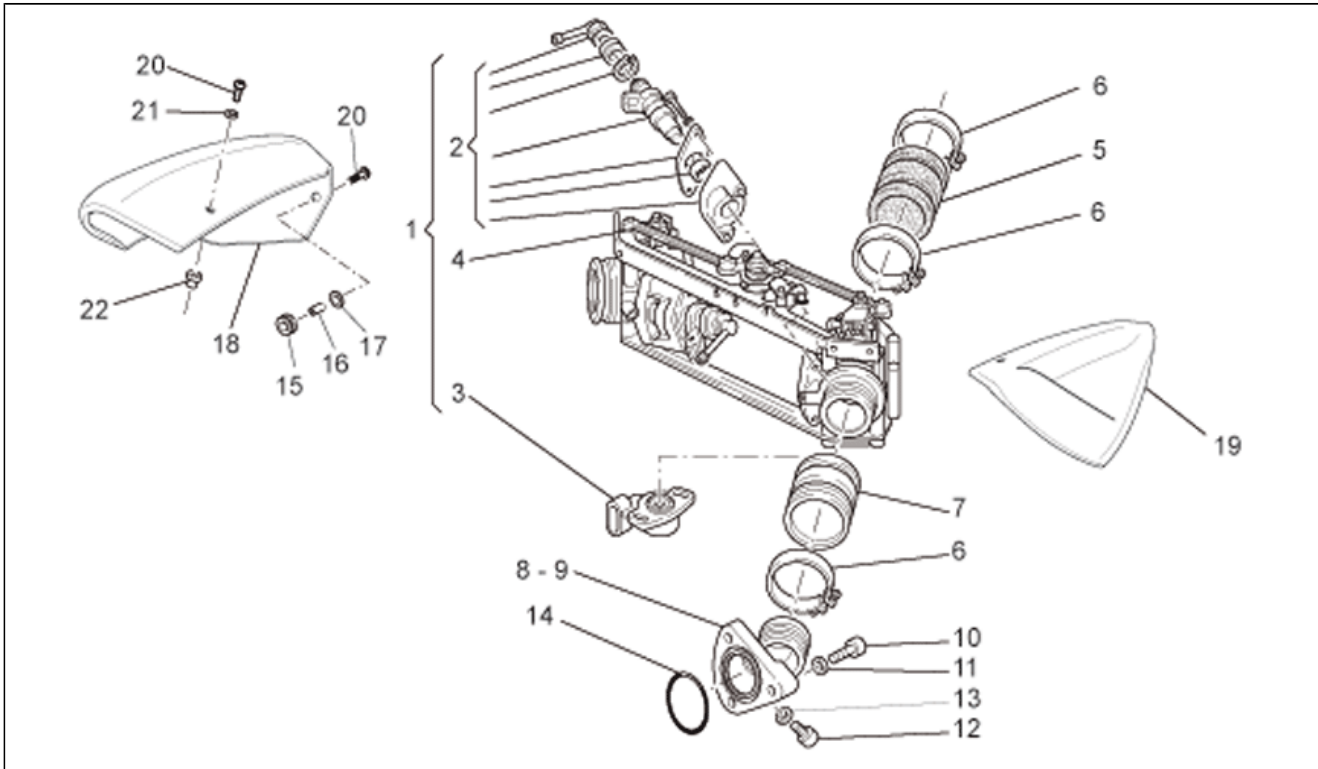
Pos.	Code	Description	Q.ty	Variants
1	GU05730730	Starter motor Bosch	1	
2	GU98082475	Screw M8X75	2	
3	GU95008208	Washer 8,4X15X1,5	2	
4	GU05733330	Cover chrome grey	1	
5	AP8117200	Adhesive sponge	1	
6	GU98370609	Hex socket screw M6x10	2	
7	AP8121032	Bush	2	
8	GU03469201	Stud bolt	1	
9	GU03013800	Washer 6,4x12	1	

Assembly	ENGINE
Code	34.51
Description	Throttle body
Revision	1



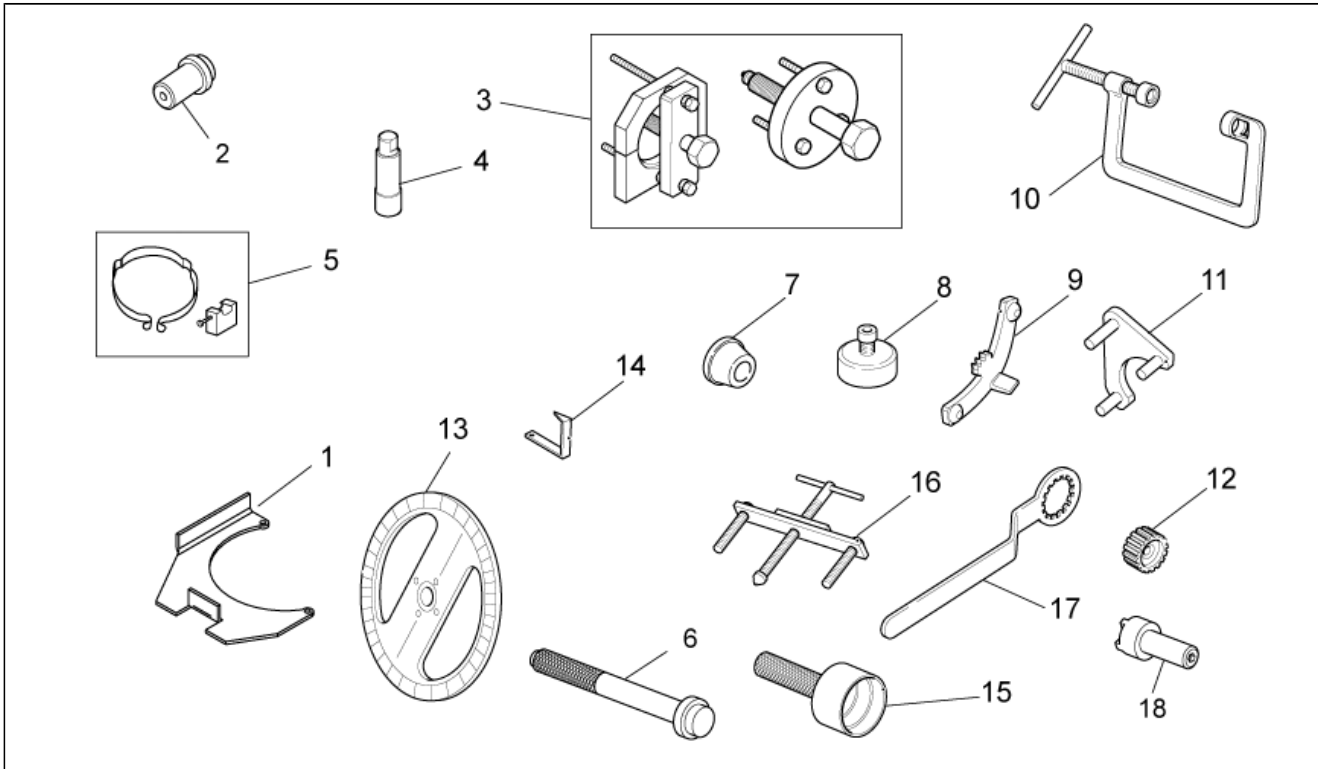
Pos.	Code	Description	Q.ty	Variants
1	GU03112560	Throttle assy	1	
2	GU01530504	Injector kit complete	2	
3	GU01530500	Potentiometer	1	
4	GU29530562	Tie rod	2	
5	GU30114470	Hose	2	
6	GU93305061	Hose clamp 61/65,5	8	
7	GU03114370	Hose	2	
8	976026	RH manifold	1	
9	976049	LH manifold	1	
10	GU98682325	Hex socket screw M6x25	6	
11	GU14217901	Washer 6,4x10x0,7	6	
12	GU98310609	Screw M6x10	2	
13	GU95100116	Washer 6,25x10x1,5	2	
14	GU90706461	O-ring 46,04x3,53	2	
15	AP8120405	Rubber spacer *	2	
16	977476	Pin	2	
17	GU95129100	Spring washer 5,3x10x0,5	2	
18	977180	RH cover chromium plated	1	year: 2008[8] Color: Grey/white 2008[gr/wh], red/white 2008[r/wh] Technical Specifications:Luxury version[LUX]
18	978390	RH cover black	1	year: 2007[7], 2008[8] Color: Black 2007-2008[black] Technical Specifications:Basic version[BASE]
18	978390	RH cover black	1	year: 2009[9] Color:Black Eagle 2009[b.eagle]
19	977181	LH cover chromium plated	1	year: 2008[8] Color: Grey/white 2008[gr/wh], red/white 2008[r/wh] Technical Specifications:Luxury version[LUX]
19	978391	LH cover black	1	year: 2007[7], 2008[8] Color: Black 2007-2008[black]

Assembly	ENGINE
Code	34.51
Description	Throttle body
Revision	1



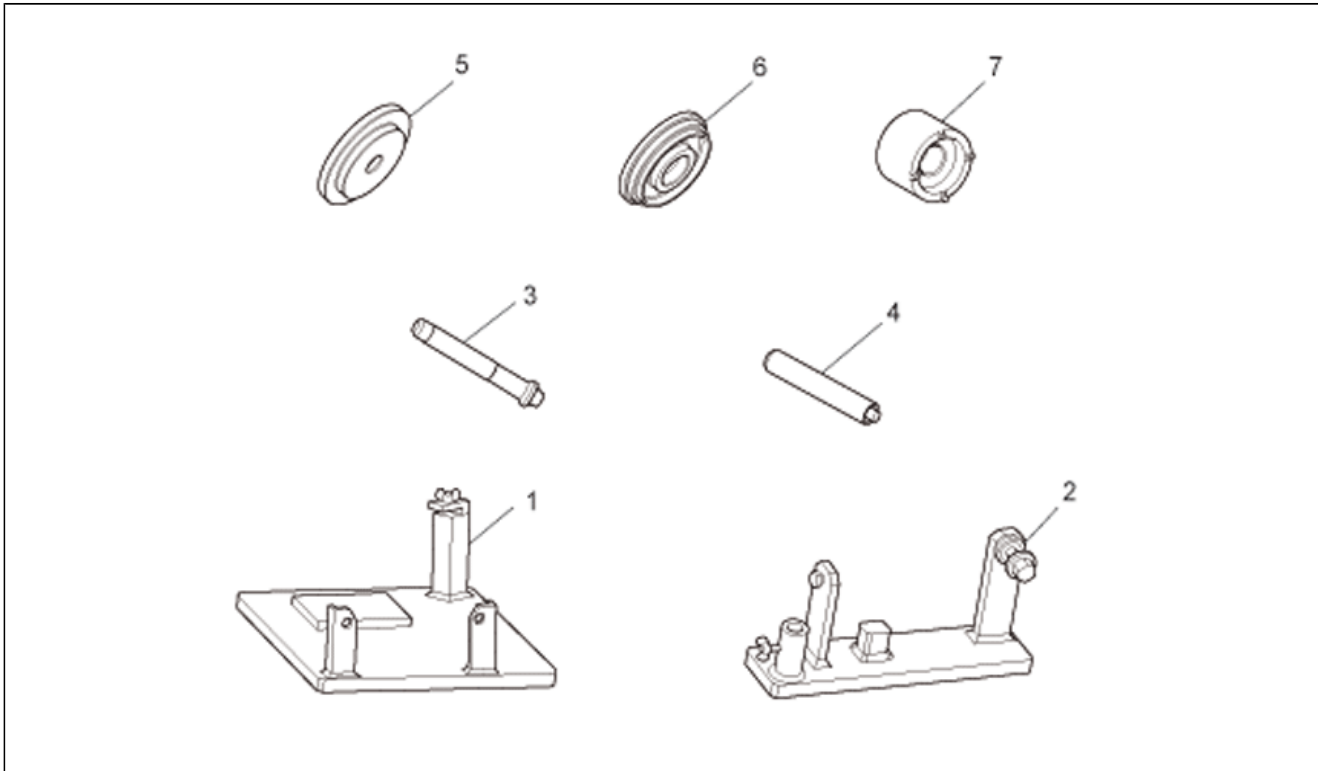
Pos.	Code	Description	Q.ty	Variants
				Technical Specifications: Basic version[BASE]
19	978391	LH cover black	1	year: 2009[9] Color: Black Eagle 2009[b.eagle]
20	GU98370520	Hex socket screw M5x20	4	
21	GU30577800	Nylon washer 5,5X12X1	4	
22	GU93232005	Rubber spacer	2	

Assembly	SPECIAL TOOLS
Code	36.52
Description	Specific tools I
Revision	1



Pos.	Code	Description	Q.ty	Variants
1	GU05902530	Gearbox housing support	1	
2	GU14927200	Seal ring onto tim.syst.cover	1	
3	GU05912530	Gearbox opening tool	1	
4	GU05901930	Spark plug key	1	
5	GU05928030	Piston ring clamp	1	
6	GU14929100	Punch seal front fork sleeve	1	
7	GU12912000	Flange flywheel side	1	
8	GU14927100	Seal ring onto flange fly.side	1	
9	GU12911801	Lock flywh.starter motor gear	1	
10	GU10907200	Valve removal and fitting	1	
11	GU14927300	Clamping the camshaftgearing	1	
12	GU30906510	Tool for clutch assembly	1	
13	GU19929600	Index plate tim.sett./ign.cont	1	
14	GU17947560	Arrow tim.set.ignition control	1	
15	GU19927100	Seal ring flange flywheel side	1	
16	GU12913600	Flange removal flywheel side	1	
17	GU30912810	Locking clutch internal body	1	
18	GU14912603	Key	1	

Assembly	SPECIAL TOOLS
Code	36.53
Description	Specific tools II
Revision	1



Pos.	Code	Description	Q.ty	Variants
1	GU05902730	Transmission box support	1	
2	GU05902736	Bevel gears support	1	
3	GU05902732	Handle for drifts	1	
4	GU05902733	Ball joint seal drift	1	
5	GU05902731	Transmis.box oil seal drift 85	1	
6	GU05902735	Sprocket oil seal drift 45x58	1	
7	GU05902734	Wrench for sprocket ring nut	1	